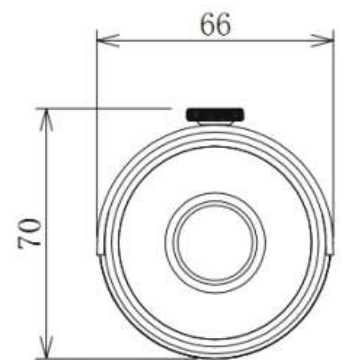
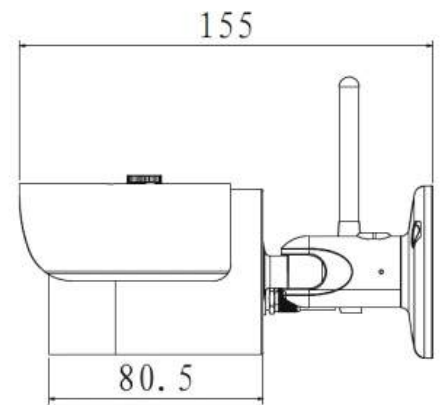


## 2.1MP IP Bullet Camera with IR

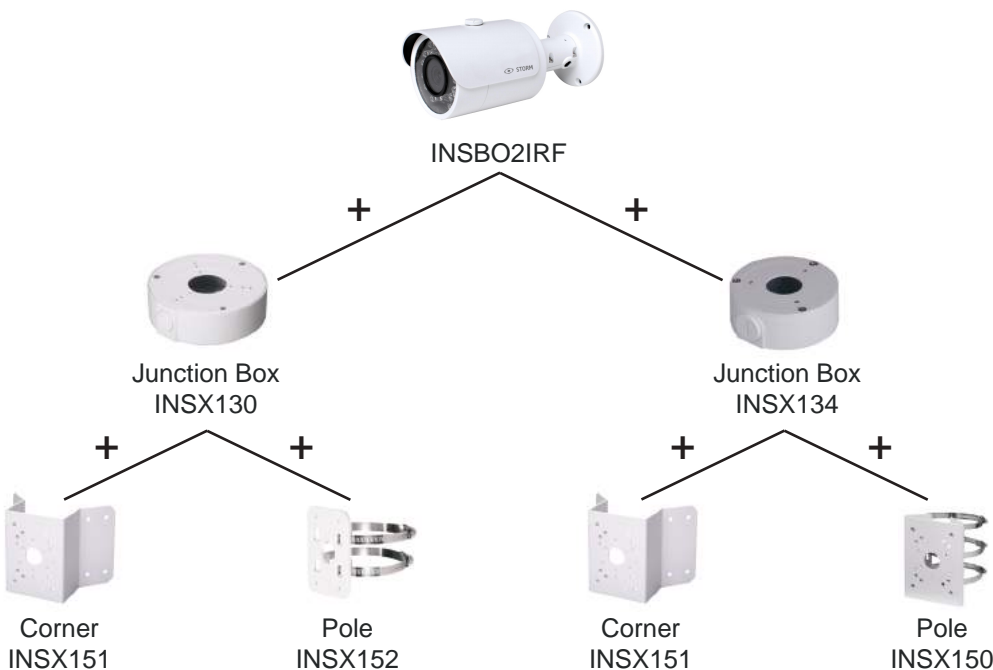
- 1/2.9" 2 Megapixel progressive scan CMOS
- H.264+ & H.264 dual-stream encoding
- Maximum 25/30fps at 1080P (1920× 1080)
- DWDR, Day/Night (ICR), AWB, AGC, BLC
- Multiple network monitoring: Web viewer, STORM VMS
- 2.8mm fixed lens
- Maximum length of IR LEDs: 30m
- IP67, PoE
- Outdoor / Indoor
- Supports corridor mode



## Dimensions(mm)



## Popular Mounting Solutions



# INSBO2IRF

## Product Specifications



Image Sensor	1/2.9" 2 megapixel progressive scan CMOS	
Effective Pixels	1920(H) x1080(V)	
Scanning System	Progressive	
Electronic Shutter Speed	Auto / Manual 1/3 (4)- 1/10000	
Minimum Illumination	0.1Lux/F2.0(Color), 0Lux/F2.0(IR on)	
S/N Ratio	More than 50dB	
Video Output	N/A	
Camera Features		
Maximum Length of IR LEDs	30m	
Day/Night	Auto (ICR) / Color / B/W	
Backlight Compensation	BLC / HLC / DWDR	
White Balance	Auto/Natural/Street Lamp/Outdoor/Manual	
Gain Control	Auto / Manual	
Noise Reduction	3D DNR	
Privacy Masking	Up to 4 areas	
Lens		
Focal Length	2.8 mm (3.6 mm optional)	
Maximum Aperture	F2.0	
Focus Control	Manual	
Viewing Angle	H:101°/83°, V:57°/44°	
Lens Type	Fixed lens	
Mount Type	Board -in Type	
Video		
Compression	H.264+/H.264	
Resolution	1080P (1920×1080) / 720P (1280×720) / D1 (704×576 / 704×480) / CIF (352×288 / 352×240)	
Frame Rate	Main Stream	2M (1 ~ 25/30fps)
	Sub Stream	D1/CIF (1- 25/30fps)
Bit Rate	H.264 H: 24K - 8192 Kbps	
Audio		
Compression	N/A	
Interface	N/A	
Network		
Ethernet	RJ-45 (10/100Base-T)	
Wi-Fi	N/A	
Protocol	HTTP;HTTPs;TCP;ARP;RTSP;RTP;UDP;SMTP;FTP;DHCP;DNS;DDNS; PPPOE;IPv4/6;QoS;UPnP;NTP;Bonjour;802.1x;Multicast;ICMP;IGMP	
Compatibility	ONVIF, PSIA, CGI	
Maximum User Access	20 users	
Smart Phone	iOS, Android	

# INSBO2IRF

## Product Specifications



Auxiliary Interface	
Memory Slot	N/A
RS485	N/A
Alarm	N/A
PIR Sensor Range	N/A
General	
Power Supply	DC12V, PoE (802.3af)
Power Consumption	Less than 6.4W
Working Environment	-30°C to +60°C and less than 95% RH
Ingress Protection	IP67
Vandal Resistance	N/A
Dimensions	Φ70mm×164.7mm
Weight	0.44 Kg