

INLGB04160IRWF

4 MP ChromaView Wide Angle Fixed Bullet Network Camera

- High quality image with 4MP, 1/2.9"CMOS sensor
- Double lens splicing technology
- H.265+ & H.264 encoding
- ChromaView Technology
- Smart Detection: Intrusion, Human Detection and more
- Supports Micro SD Card, up to 256GB



**NDAA
Compliant**

Unify your Security Solution

You asked, we listened. Tailored especially for you, Legend is our **fully NDAA compliant brand**. It offers our latest technologies in a robust build with edge storage capacity. Legend by Inaxsys provides H.265+ compression and easy installation.

Smart H.265+ & H.264+

LEGEND smart encoding technology provides high-quality video with higher efficiency and also reduces the cost of storage space and transmission bandwidth by adopting an advanced algorithm of auto stream control.

ChromaView Technology

This technology helps you capture clear color images in practically any low light environment. Using a F1.0 aperture lens paired with our 1/2.9" high-performance sensor, ChromaView technology provides a great balance between noise reduction and blurry moving objects.



*Design and specifications are subjects to change without notice.



INLGB04160IRWF

4 MP ChromaView Wide Angle
Fixed Bullet Network Camera

Product Specifications

Camera					
Image Sensor	1/2.9"CMOS				
Minimum Illumination	Colour: 0.0005 lux (F1.0, AGC ON)				
Electronic Speed Shutter	Auto/Manual, 1 ~ 1/100000s				
Pan/Tilt/Rotate	Pan: 0° ~ 360°	Tilt: 0° ~ 90°	Rotate: 0° ~ 360°		
WDR	Digital Wide Dynamic Range				
S/N Ratio	More than 56 dB				
Illumination					
LED Distance	Up to 30m / 98ft				
LEDs Number	2				
LED On & Off Control	Auto/Manual				
Lens					
Lens Type	Fixed				
Focal Length	2 x 4.0mm				
Viewing Angle (H, V, D)	H : 160.00°±10°	V : 43.22°	D : 180.13°±10°		
DORI					
DORI	Lens (mm)	Detect	Observe	Recognize	Identify
Distance	4.0	64.3m/211ft	25.7m /84.31ft	12.9m/42.3ft	6.4m/21 ft
Video					
Compression	H.265+ / H.265 / H.264 / MJPEG				
H.264 code profile	Baseline profile, Main profile, High profile				
Frame Rate	Main Stream: 4MP (3840*1080), Max 25fps (Human Body Detection off) Sub Stream: 1920*540, Max 25fps				
Video Bit Rate	128 Kbps~16 Mbps				
On-Screen Display (OSD)	Up to 8 OSDs				
Privacy Mask	Up to 4 areas				
Region of Interest	Up to 8 areas				
Video Stream	Double				

*Design and specifications are subjects to change without notice.



INLGB04160IRWF

4 MP ChromaView Wide Angle Fixed Bullet Network Camera

Product Specifications

Image	
White Balance	Auto/Outdoor/Fine Tune/Sodium Lamp/Locked/Auto2
Digital Noise Reduction	2D/3D DNR
Smart LED Illumination	Support
Hightlight Compensation (HLC)	Support
Blacklight Compensation (BLC)	Support
Defog	Digital Defog
Events	
Basic Detection	Human Body Detection, motion detection, tampering alarm, audio detection
General Function	Watermark, IP address filtering, Alarm input, Alarm output, access policy, ARP protection, RTSP authentication, user authentication
Audio	
Audio Compression	G.711
Audio Bit Rate	64 Kbps
Two-way Audio	Support
Suppression	Support
Sampling Rate	8KHZ
Storage	
Edge Storage	Micro SD, up to 256GB
Network Storage	ANR, NAS(NFS)
Interface	
Audio I/O	Input: impedance 35k Ω ; amplitude 2V [p-p] Output: impedance 600 Ω ; amplitude 2V [p-p]
Alarm I/O	1/1
Built-in Mic	Yes, two mics
Built-in Speaker	Yes
Ethernet	1 * RJ45 10M/100M Base-TX Ethernet

*Design and specifications are subjects to change without notice.



INLGB04160IRWF

4 MP ChromaView Wide Angle Fixed Bullet Network Camera

Product Specifications

Network	
Protocols	IPv4, IGMP, ICMP, ARP, TCP, UDP, DHCP, PPPoE, RTP, RTSP, RTCP, DNS, DDNS, NTP, FTP, UPnP, HTTP, HTTPS, SMTP, 802.1x, SNMP, QoS, RTMP, SSL/TLS, SSH
Compatibility	ONVIF (Profile S, Profile G, Profile T), API, SDK
User/Host	Up to 32 users. 2 user levels: administrator and common user
Security	Password protection, strong password, HTTPS encryption, Export operation logs, basic and digest authentication for RTSP, digest authentication for HTTP, TLS 1.2, WSSE and digest authentication for ONVIF
Management software	LEGEND VMS, ARKIV
Web Browser	Plug-in required live view: IE9+, Chrome 41 and below, Firefox 52 and below
	Plug-in free live view: Chrome 57.0+, Firefox 58.0+, Edge 16+
Certifications	
EMC	CE-EMC (EN 55032: 2015+A1:2020, EN 61000-3-3: 2013+A1: 2019, EN IEC 61000-3-2: 2019+A1: 2021, EN 55035: 2017+A11:2020) FCC (FCC CFR 47 part 15 B, ANSI C63.4-2014)
Safety	CE LVD (EN 62368-1:2014+A11:2017) CB (IEC 62368-1:2014) UL (UL 62368-1, 2nd Ed., Issue Date: 2014-12-01)
Environment	CE-RoHS (2011/65/EU; (EU)2015/863); WEEE (2012/19/EU); Reach (Regulation (EC) No 1907/2006)
Protection	IP67 (IEC 60529:1989+AMD1:1999+AMD2:2013) IK10 (IEC 62262:2002) 4KV (Surge Protection)
General	
Power	DC 12V±25%, PoE (IEEE 802.3af)
Power Consumption	Less than 6.5W
Power Interface	Ø 5.5mm coaxial power plug
Dimensions (L x W x H)	273 × 130 × 76mm (10.7" × 5.1" × 3.0")
Weight	2.09lb / 0.95kg
Material	Metal
Working Environment	-30°C ~ 60°C (-22°F ~ 140°F), Humidity: ≤95% RH (non-condensing)
Reset Button	Support

*Design and specifications are subjects to change without notice.



INLGB04160IRWF

4 MP ChromaView Wide Angle
Fixed Bullet Network Camera

Product Specifications



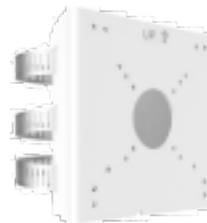
XLGJB06-A
Junction Box



XLGB07-D
Junction Box



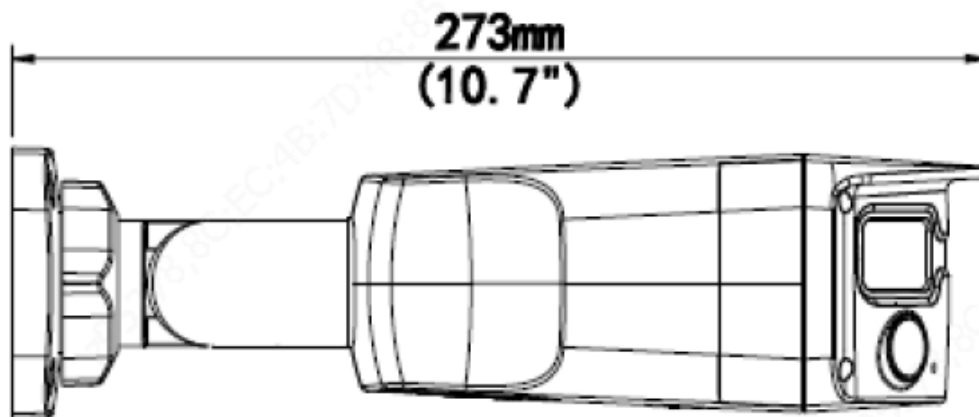
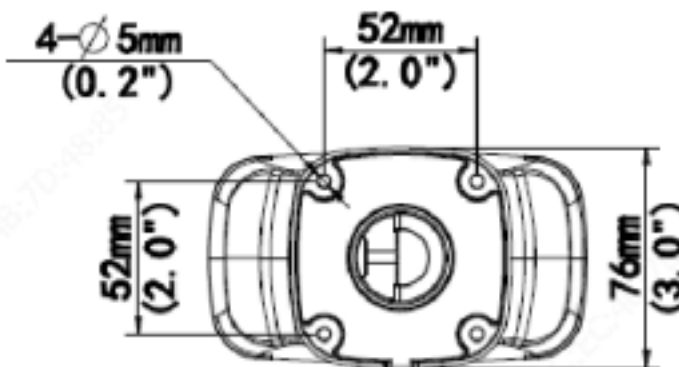
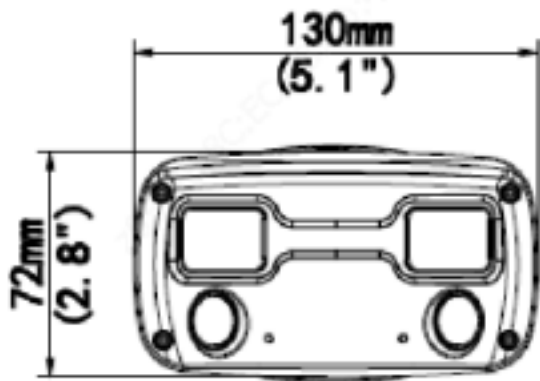
XLGUP06-B
Pole Mount



XLGUP06-C
Pole Mount



VUSD256G
Micro SD Card



*Design and specifications are subjects to change without notice.



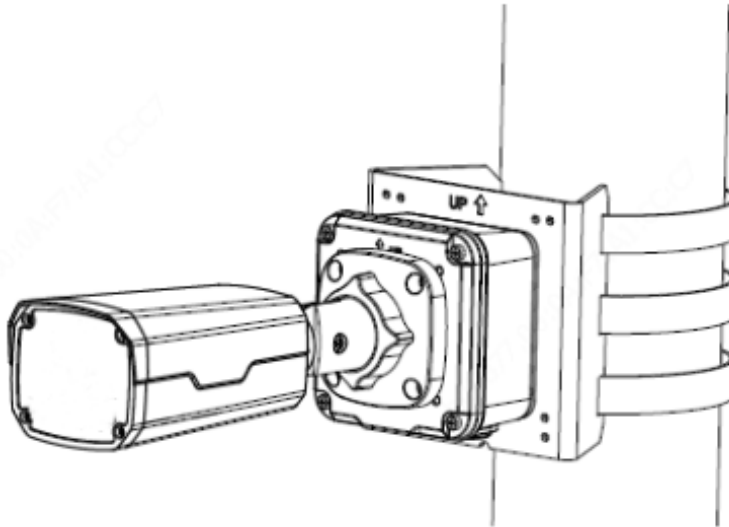
INLGB04160IRWF

4 MP ChromaView Wide Angle
Fixed Bullet Network Camera

Product Specifications

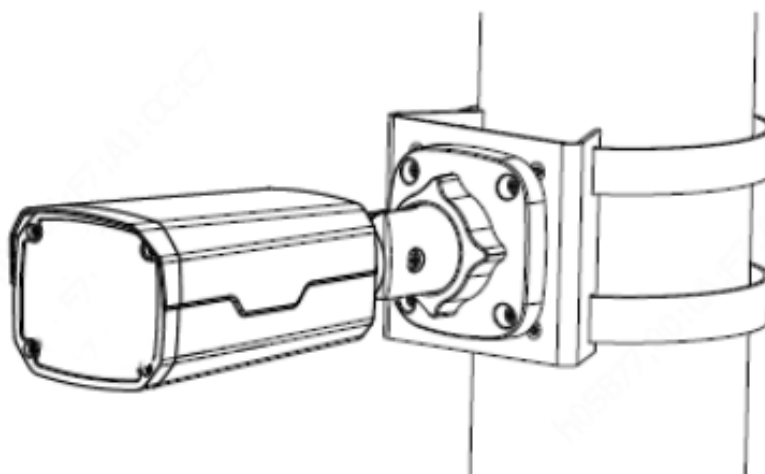
Junction Mount

XLGJB07-D (XLGJB06-A) + XLGUP06-C



Pole Mount

XLGUP06-B



*Design and specifications are subjects to change without notice.

