

INLG324KN

32 Channel 4K NVR

- Supports H.265+ / H.265 / H.264 compression
- 32-Channel input
- Up to 12 Megapixels resolution recording
- Supports RAID 1, 5
- 4 SATA HDDs, Up to 10TB for each HDD
- ANR technology to enhance the storage reliability
- Supports cloud upgrade

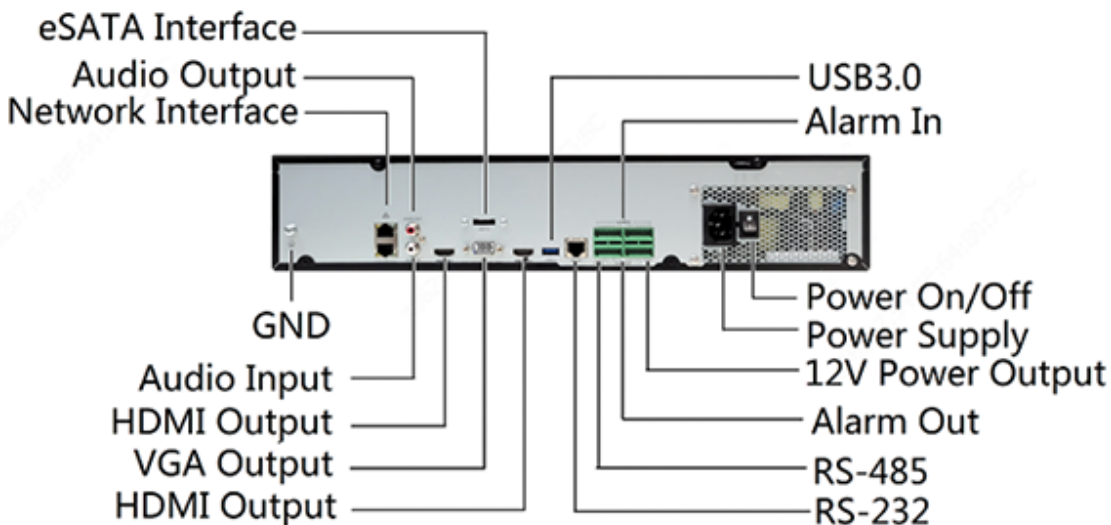


NDA A
Compliant

Unify your Security Solution

You asked, we listened. Tailored especially for you, Legend is our **fully NDA A compliant brand**. It offers our latest technologies in a robust build. Legend by Inaxsys provides H.265+ compression, highly reliable device, crystal clear imaging, easy-to-use, this NVR is **suitable for residences and businesses**.

Rear Panel



*Design and specifications are subjects to change without notice.



INLG324KN

Product Specifications

32 Channel 4K NVR

Decoding	
Format	H.265+ / H.265 / H.264
Capability	2 x 12MP@30 / 4 x 4K@30 / 8 x 4MP@30 / 9 x 4MP@25 / 16 x 1080P@30 / 32 x 960P@25
Audio Compression	G.711A, G.711U
Network	
Incoming Bandwidth	384Mbps
Outgoing Bandwidth	384Mbps
Remote Users	128
Protocols	TCP/IP, P2P, UPnP, NTP, DHCP, PPPoE, HTTP, HTTPS, DNS, DDNS, SNMP, SMTP, NFS, RTSP, 802.1x, IPV6
Browser	Windows: IE (IE10/11), Firefox (version 52.0 and above), Chrome (version 45 and above), Edge (version 79 and above)
Video/Audio Output	
HDMI/VGA Output	HDMI1/HDMI2 (HDMI audio output is not supported): 4K (3840x2160)/30Hz, 1920x1080p/60Hz, 1920x1080p/50Hz, 1600x1200/60Hz, 1280x1024/60Hz, 1280x720/60Hz, 1024x768/60Hz
	VGA: 1920x1080p/60Hz, 1920x1080p/50Hz, 1600x1200/60Hz, 1280x1024/60Hz, 1280x720/60Hz, 1024x768/60Hz
Audio Output	1-Channel, RCA
Liveview Display	1/4/6/8/9/16/25/36
Corridor Mode Screen	3/4/5/7/9/10/12/16/32
Video/Audio Input	
IP Video Input	32-Channel
RCA Audio Input	1-Channel
Two-way Audio	
Two-way Audio	1-Channel, RCA (Using the audio input and output)
Snapshot	
FTP/Schedule/Event Snapshot	32-Channel, snapshot, up to 4K resolution
Recording	
Resolution	12MP/8MP/6MP/5MP/4MP/3MP/1080P/960P/720P/D1/2CIF/CIF
Synchronous Playback in Local	16-Channel
Smart	
VCA Detection by IPC	Face Detection, Vehicle Detection, SIP (Intrusion Detection, Cross Line Detection, Enter Area, Leave Area), Ultra Motion Detection (UMD), Temperature Detection (Fire Detection, Smoking Detection, Temperature Measurement, Smoke and Fire Detection), People Counting (People Flow Counting, Crowd Density Monitoring), Video Metadata, Traffic Monitoring
VCA Search	Motor Vehicle Search, Non-Motor Vehicle Search, Human Body Search, General Search, People Counting Report
Smart by IPC	All channels (up to 16 images/s in total) Face Detection, Vehicle Detection, Temperature Detection, SIP, UMD, Video Metadata, Traffic Monitoring

*Design and specifications are subjects to change without notice.



INLG324KN

32 Channel 4K NVR

Product Specifications

Alarm	
General Alarm	Defocus Detection, Scene Change Detection, Object Left Behind, Object Removed, Auto Tracking, Motion Detection, Tampering, Human Body Detection, Video Loss, Alarm Input, Audio Detection
Alert Alarm	IP Conflict, Network Disconnected, Disk Offline, Disk Abnormal, Illegal Access, Hard Disk Space Low, Hard Disk Full, Recording/Snapshot Abnormal
GUI Language	
GUI Language	38 languages: Simplified Chinese, Traditional Chinese, English, Vietnamese, Thai, Turkish, Spanish (Latin America), Portuguese (Brazil), Spanish, Portuguese, French, German, Italian, Dutch, Polish, Czech, Hungarian, Slovak, Russian, Hebrew, Arabic, Ukrainian, Estonian, Bulgarian, Greek, Romanian, Danish, Swedish, Norwegian, Finnish, Croatian, Slovenia, Serbia, Korean, Japanese, Latvian, Lithuanian, Persian
Hard Disk	
SATA	4 SATA Interfaces
Capacity	Up to 10TB for each HDD(The maximum HDD capacity varies with environment temperature)
Disk Array Type	RAID 1, 5
External Interface	
Ethernet	2 RJ45 10M/100M/1000M self-adaptive Ethernet Interface
USB	Front panel: 2 x USB2.0 Rear panel: 1 x USB3.0
RS485	1
RS232	1
Alarm In	16-Channel
Alarm Out	4-Channel
eSATA	1
Power Output	12V
Power Supply	AC 100 - 240 V
Power Switch	Support
Working Environment	
Working Temperature	-10 °C ~ 55 °C (14 °F ~ 131 °F)
Working Humidity	≤ 90% RH (non-condensing)
Power Consumption	Less than 25W
Dimensions	
Weight	Less than 12.57lb / 5.7kg
Dimensions	442mm x426mmx 89mm / 17.4"x16.8"x3.5"
Certification	
Certification	CE, FCC, UL, RoHS, WEEE
CE	EN 55032, EN 61000-3-3, EN IEC 61000-3-2, EN 55035
FCC	Part15, Subpart B

*Design and specifications are subjects to change without notice.

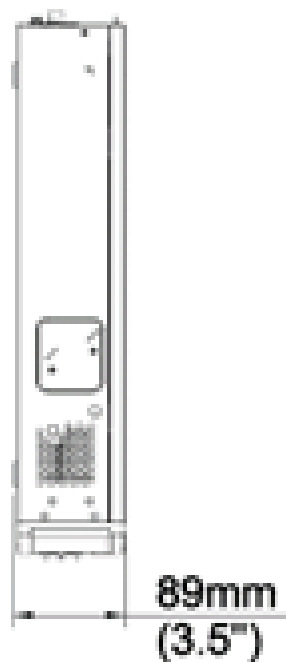
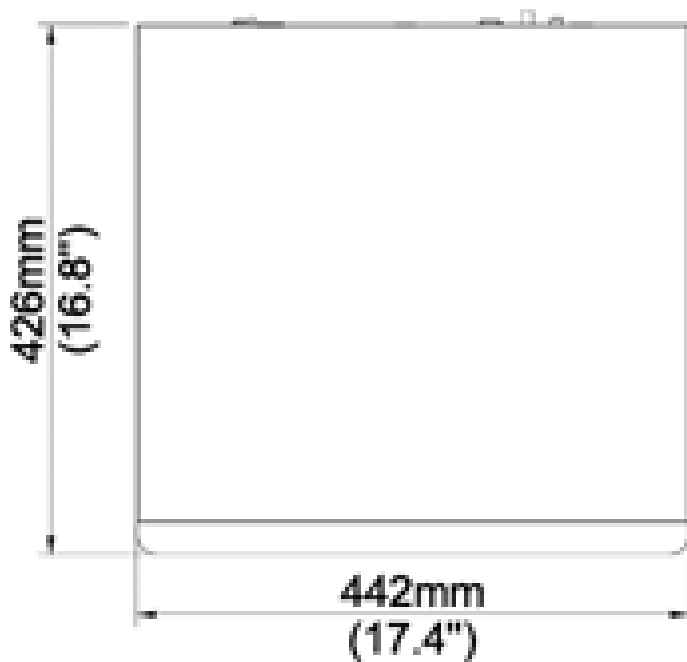


INLG324KN

32 Channel 4K NVR

Product Specifications

Dimensions



*Design and specifications are subjects to change without notice.

