

# INLGD12IRWPTZ5X

## 2.1MP Interior 5x PTZ IP Camera

- High quality image with 2MP, 1/2.7" CMOS sensor
- Ultra-high image quality in low light environments
- H.265+ & H.264 encoding
- Wi-Fi connection and easy installation
- Face capture, automatic selection of best snapshots
- Smart intrusion prevention, supports false alarm filtering, includes line crossing, Intrusion, Enter/Leave Area detection

### Unify your Security Solution

You asked, we listened. Tailored especially for you, Legend is our **fully NDA compliant brand**. It offers our latest technologies in a robust build with edge storage capacity. Legend by Inaxsys provides H.265+ compression and easy installation.

### Smart H.265+ & H.264+

LEGEND smart encoding technology provides high-quality video with higher efficiency and also reduces the cost of storage space and transmission bandwidth by adopting an advanced algorithm of auto stream control.

### On-board Analytics

This camera responds accurately to specific events in a given area. Our algorithm enables Human Detection, intrusion detection, Tampering Alarm and much more. Facilitate your viewing experience using on the edge analytics – one product, multiple features.



\*Design and specifications are subjects to change without notice.



# INLGDI2IRWPTZ5X

## Product Specifications

### 2.1MP Interior 5x PTZ IP Camera

| Camera                   |  |                 |                  |                |               |
|--------------------------|--|-----------------|------------------|----------------|---------------|
| Image Sensor             | 1/2.7", 2.0 megapixel, progressive scan, CMOS  |                 |                  |                |               |
| Scanning System          | Progressive  |                 |                  |                |               |
| Minimum Illumination     | Colour:0.003 lux (F1.2, AGC ON), 0 lux with IR   |                 |                  |                |               |
| Day/Night                | IR-cut filter with auto switch (ICR)   |                 |                  |                |               |
| Electronic Speed Shutter | Auto/Manual, 1 ~ 1/100000s   |                 |                  |                |               |
| WDR                      | 120 dB   |                 |                  |                |               |
| S/N Ratio                | More than 52 dB  |                 |                  |                |               |
| Illumination             |  |                 |                  |                |               |
| IR Range                 | Up to 30m / 98ft   |                 |                  |                |               |
| Wavelength               | 850nm  |                 |                  |                |               |
| IR On & Off Control      | Auto/Manual  |                 |                  |                |               |
| Lens                     |  |                 |                  |                |               |
| Lens Type                | Auto aperture  |                 |                  |                |               |
| Focal Length             | 2.7~13.5mm, AF automatic focusing and motorized zoom lens  |                 |                  |                |               |
| Viewing Angle (H, V, D)  | H : 106.9°~30.6°   | V : 56.0°~17.7° | D : 131.5°~39.8° |                |               |
| DORI                     |  |                 |                  |                |               |
| DORI Distance            | Lens (mm)  | Detect          | Observe          | Recognize      | Identify      |
|                          | 2.7  | 70.9m /232.5ft  | 28.4m /93.0ft    | 14.2m /46.5ft  | 7.1m/23.3ft   |
|                          | 13.5   | 247.5m /812ft   | 99m /324ft       | 49.5m /162.4ft | 24.8m /81.2ft |
| Video                    |  |                 |                  |                |               |
| Compression              | H.265+ / H.265 / H.264 / MJPEG   |                 |                  |                |               |
| H.264 code profile       | Baseline profile, Main profile, High profile   |                 |                  |                |               |
| Frame Rate               | Main Stream: 2MP (1920*1080), Max 30fps;<br>Sub Stream: 720P (1280*720), Max 30fps;<br>Third Stream: D1 (720*576), Max 30fps |                 |                  |                |               |
| Video Bit Rate           | 128 Kbps~16 Mbps   |                 |                  |                |               |
| On-Screen Display (OSD)  | Up to 8 OSDs   |                 |                  |                |               |
| Privacy Mask             | 24 areas, up to 4 areas per scene  |                 |                  |                |               |
| Region of Interest       | Up to 8 areas  |                 |                  |                |               |
| Video Stream             | Triple   |                 |                  |                |               |

\*Design and specifications are subjects to change without notice.



# INLGDI2IRWPTZ5X

## Product Specifications

### 2.1MP Interior 5x PTZ IP Camera

|                               |  |
|-------------------------------|--|
| Image                         |  |
| White Balance                 | Auto/Outdoor/Fine Tune/Sodium Lamp/Locked/Auto2  |
| Digital Noise Reduction       | 2D/3D DNR  |
| Smart IR                      | Support  |
| Flip                          | Normal/Vertical/Horizontal/180°  |
| Hightlight Compensation (HLC) | Support  |
| Blacklight Compensation (BLC) | Support  |
| Defog                         | Digital Defog  |
| Artificial Intelligence       |  |
| Smart Intrusion Prevention    | Support false alarm filtering: Cross Line detection, Intrusion detection, Enter Area detection, Leave Area detection                                 |
| Events                        |  |
| Basic Detection               | Motion detection, Ultra motion detection, Tampering alarm, Audio detection   |
| General Function              | Watermark, IP address filtering, tampering alarm, alarm input, alarm output, access policy, ARP protection, RTSP authentication, user authentication |
| Audio                         |  |
| Audio Compression             | G.711U, G.711A   |
| Audio Bit Rate                | 64 Kbps  |
| Suppression                   | Support  |
| Two-way Audio                 | Support  |
| Sampling Rate                 | 8KHZ   |
| Storage                       |  |
| Edge Storage                  | Micro SD, up to 256GB  |
| Network Storage               | ANR, NAS (NFS)   |
| Interface                     |  |
| Alarm I/O                     | 2/1  |
| RS485                         | 1  |
| Built-in Mic                  | Yes  |
| Built-in Speaker              | Yes  |
| WIFI                          | Yes : IEEE802.11b/g/n  |
| Ethernet                      | 1 * RJ45 10M/100M Base-TX Ethernet   |

\*Design and specifications are subjects to change without notice.



# INLGDI2IRWPTZ5X

## Product Specifications

### 2.1MP Interior 5x PTZ IP Camera

|                     |  |
|---------------------|--|
| Network             |  |
| Protocols           | IPv4, IGMP, ICMP, ARP, TCP, UDP, DHCP, PPPoE, RTP, RTSP, RTCP, DNS, DDNS, NTP, FTP, UPnP, HTTP, HTTPS, SMTP, 802.1x, SNMP, QoS, RTMP, SSL/TLS  |
| Compatibility       | ONVIF (Profile S, Profile G, Profile T), API, SDK  |
| User/Host           | Up to 32 users. 3 user levels: administrator, operator and common user   |
| Security            | Password protection, strong password, HTTPS encryption, Export operation logs, basic and digest authentication for RTSP, digest authentication for HTTP, TLS 1.2, WSSE and digest authentication for ONVIF |
| Management software | LEGEND VMS, ARKIV  |
| Web Browser         | Plug-in required live view: IE 10 and above, Chrome 45 and above, Firefox 52 and above, Edge 79 and above  |
| PTZ                 |  |
| Pan Range           | 350°   |
| Pan Speed           | 0.1°/s ~ 60°/s<br>Preset speed: 60°/s  |
| Tilt Range          | 0° ~ 90°   |
| Tilt Speed          | 0.1°/s ~ 50°/s<br>Preset speed: 50°/s  |
| Number of Presets   | 1024   |
| Preset Patrol       | 16 patrols, up to 64 presets for each patrol   |
| Patrol Stay Time    | 120s ~ 1800s   |
| Home Position       | Support  |
| Certifications      |  |
| EMC                 | CE-EMC (EN 55032: 2015+A1:2020, EN 61000-3-3: 2013+A1: 2019, EN IEC 61000-3-2: 2019+A1: 2021, EN 55035: 2017+A11:2020)<br>FCC (FCC CFR 47 part15 B, ANSI C63.4-2014)                                       |
| Safety              | CE LVD (EN 62368-1:2014+A11:2017)<br>CB (IEC 62368-1:2014)<br>UL (UL 62368-1, 2nd Ed., Issue Date: 2014-12-01)   |
| RF                  | FCC ID (FCC CFR 47 part15 C)<br>CE RED (EN 62311: 2008, EN 300 328 V2.2.2(2019-07), EN 301489-1 V2.2.3(2019-11), ETSI EN 301 489-17 V3.2.4(2020-09))   |
| Environment         | CE-RoHS (2011/65/EU;(EU)2015/863);   |
| Protection          | 4KV (Surge Protection)   |
| General             |  |
| Power               | DC 12V±25%, PoE (IEEE 802.3af)   |
| Power Consumption   | Less than 15W  |
| Power Interface     | Ø 5.5mm coaxial power plug   |
| Dimensions (Ø x H)  | Φ129 x 143.6mm / Φ5.1" x 5.7"  |
| Weight              | 0.76kg / 1.67lb  |
| Working Environment | -10°C ~ 50°C (14°F ~ 122°F), Humidity: ≤95% RH (non-condensing)  |
| Reset Button        | Support  |

\*Design and specifications are subjects to change without notice.



# INLGDI2IRWPTZ5X

## Product Specifications

2.1MP Interior 5x PTZ IP Camera



**XLGJB03-H**  
Junction Box



**XLGJB07WM03-F-IN**  
Wall Mount



**XLGWM03-B**  
Wall Mount



**XLGUP06-C**  
Pole Mount



**XLGSE24**  
Pendant Mount



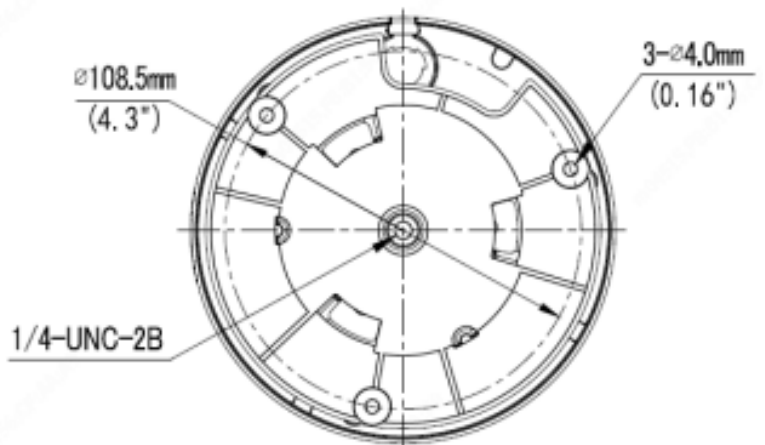
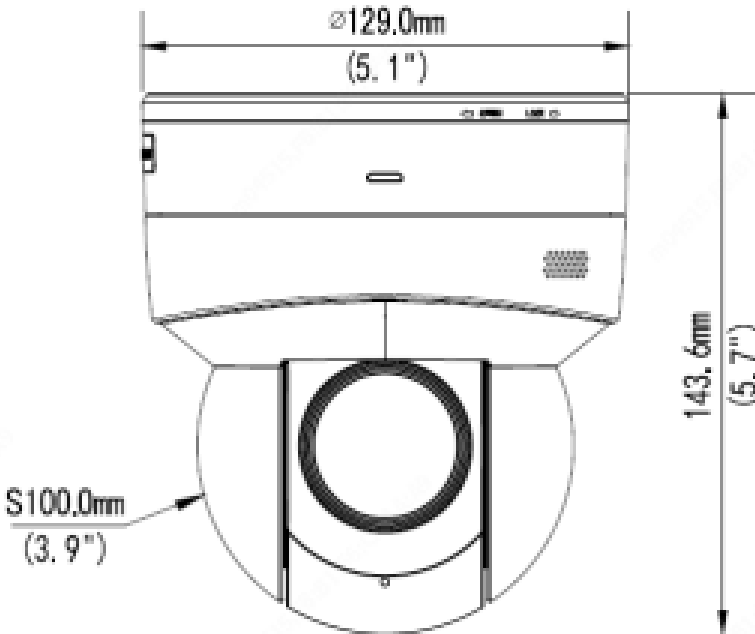
**XLGSE24-A**  
Pendant Mount



**XLGCM24**  
Ceiling Mount



**VUSD256G**  
Micro SD Card



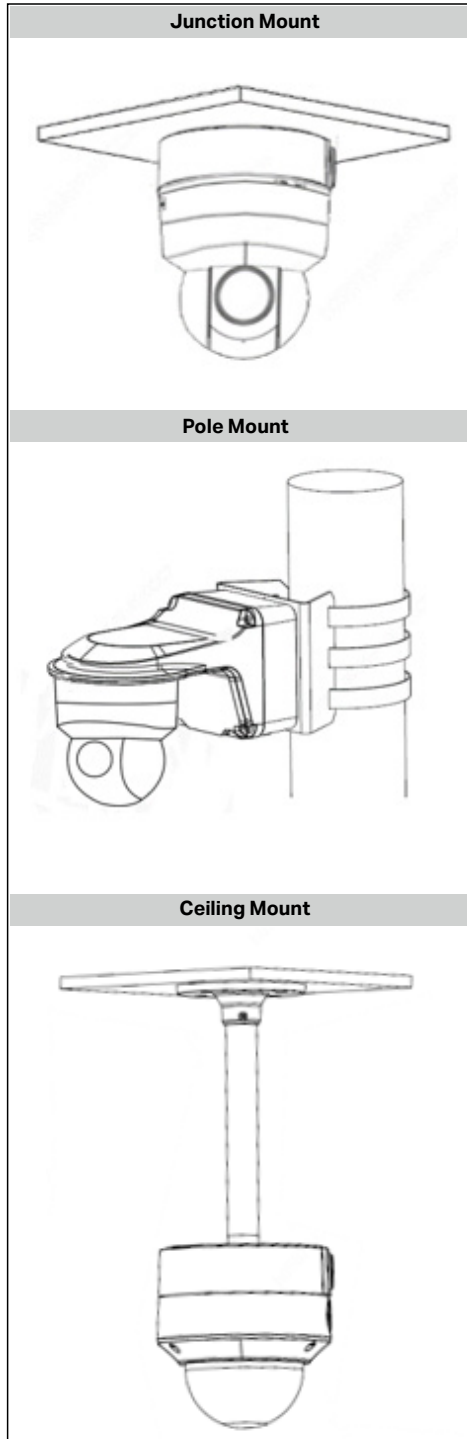
\*Design and specifications are subjects to change without notice.



# INLGDI2IRWPTZ5X

## Product Specifications

2.1MP Interior 5x PTZ IP Camera



\*Design and specifications are subjects to change without notice.

