

INLGDO12IRHEM

12.1MP Ultra-HD Fisheye Network Camera

- High quality image with 12MP, 1/1.7" CMOS sensor
- Heatmap: Working with management platform, the data of moving objects is counted in real time on an intuitive color map
- H.265+ & H.264 encoding
- Embedded infrared light, 360° fill-in light, up to 15m (49ft) IR distance
- Ultra wide angle lens, 360° panoramic image
- Built-in microphone & speaker, two-way talk supported

Unify your Security Solution

You asked, we listened. Tailored especially for you, Legend is our **fully NDA compliant brand**. It offers our latest technologies in a robust build with edge storage capacity. Legend by Inaxsys provides H.265+ compression and easy installation.

Smart H.265+ & H.264+

LEGEND smart encoding technology provides high-quality video with higher efficiency and also reduces the cost of storage space and transmission bandwidth by adopting an advanced algorithm of auto stream control.

On-board Analytics

This camera responds accurately to specific events in a given area. Our algorithm enables Cross Line detection, Intrusion detection, heat map and motion detection.



**NDA
Compliant**



*Design and specifications are subjects to change without notice.



INLGDO12IRHEM

12.1MP Ultra-HD Fisheye Network Camera

Product Specifications

Camera					
Image Sensor	1/1.7", 12.0 megapixel, progressive scan, CMOS				
Scanning System	Progressive				
Minimum Illumination	Colour: 0.03Lux (F2.0, AGC ON), 0Lux with IR				
Day/Night	IR-cut filter with auto switch (ICR)				
Electronic Speed Shutter	Auto/Manual, 1 ~ 1/100000s				
WDR	Digital Wide Dynamic Range				
S/N Ratio	More than 52 dB				
Illumination					
IR Range	Up to 15m/49ft				
Wavelength	850nm				
IR On & Off Control	Auto/Manual				
Lens					
Lens Type	Autofocus				
Focal Length	1.8mm				
Viewing Angle (H, V, D)	360°				
DORI					
DORI Distance	Lens (mm)	Detect	Observe	Recognize	Identify
	1.8	43.8m/143.7ft	17.5m/57.4ft	8.8m/29.9ft	4.4m/14.4ft
Video					
Compression	H.265+ / H.265 / H.264 / MJPEG				
H.264 code profile	Baseline profile, Main profile, High profile				
Frame Rate	Main Stream : Fisheye View: 12MP(4000*3000)@20fps; 3000*3000@20fps; 2560*2560@25fps. Panorama View: 12MP(4000*3000)@20fps; 3000*2000@20/25fps; 3000*1500@20/25fp; PTZ View: 1920*1080@20/25fps; Sub Stream : Fisheye View:2000*1500@20fps;2000*2000@25fps Third Stream : Fisheye View: D1(720*576)@20/25fps; CIF352*288)@20/25fps;				
Video Bit Rate	128 Kbps~16 Mbps				
On-Screen Display (OSD)	Up to 8 OSDs				
Privacy Mask	Up to 4 areas				
Region of Interest	Up to 8 areas				
Video Stream	Triple				

*Design and specifications are subjects to change without notice.



INLGDO12IRHEM

12.1MP Ultra-HD Fisheye Network Camera

Product Specifications

Image	
White Balance	Auto/Outdoor/Fine Tune/Sodium Lamp/Locked/Auto2
Digital Noise Reduction	2D/3D DNR
Smart IR	Support
Flip	Normal/Vertical/Horizontal/180°
Blacklight Compensation (BLC)	Support
Defog	Digital Defog
Artificial Intelligence	
Smart Intrusion Prevention	Cross Line detection, Intrusion detection
Statistical Analysis	Heat map (Working with management platform)
Events	
Basic Detection	Motion detection, Ultra motion detection, Tampering alarm, Audio detection
General Function	Watermark, IP address filtering, tampering alarm, alarm input, alarm output, access policy, ARP protection, RTSP authentication, user authentication
Audio	
Audio Compression	G.711U, G.711A
Audio Bit Rate	64 Kbps
Two-way Audio	Support
Suppression	Support
Sampling Rate	8KHZ
Storage	
Edge Storage	Micro SD, up to 256GB
Network Storage	ANR, NAS(NFS)
Interface	
Audio I/O	Input: impedance 35kΩ; amplitude 2V [p-p] Output: impedance 600Ω; amplitude 2V [p-p]
Alarm I/O	2/1
	Multiple Alarm linkage editable
Built-in Mic	Yes, 2
Built-in Speaker	Yes
RS485	1
Ethernet	1 RJ45 10M/100M Base-TX Auto-adaptive Ethernet
Video Output	1 BNC, impedance 75Ω; amplitude 1V [p-p]

*Design and specifications are subjects to change without notice.



INLGDO12IRHEM

12.1MP Ultra-HD Fisheye Network Camera

Product Specifications

Network	
Protocols	IPv4, IPv6, IGMP, ICMP, ARP, TCP, UDP, DHCP, PPPoE, RTP, RTSP, RTCP, DNS, DDNS, NTP, FTP, UPnP, HTTP, HTTPS, SMTP, 802.1x, SNMP, QoS
Compatibility	ONVIF (Profile S, Profile G, Profile T), API, SDK
User/Host	Up to 32 users. 3 user levels: administrator, operator and common user
Management software	LEGEND VMS, ARKIV
Web Browser	Plug-in required live view: IE 10 and above, Chrome 45 and above, Firefox 52 and above, Edge 79 and above
Live View Display	
Mount Type	Table, Wall & Ceiling
Hardware Decoding	Ceiling mount: fisheye view, fisheye + 4PTZ, horizontal panorama view, vertical panorama view Table mount: fisheye view, fisheye + 4PTZ, , horizontal panorama view, vertical panorama view Wall mount: fisheye view, fisheye + 4PTZ, panorama view
Software Decoding	Ceiling mount: Fisheye view, fisheye+ 3PTZ, fisheye+4PTZ, fisheye+8PTZ 180° panorama view, 360° panorama + 1PTZ, 360° panorama + 6PTZ Table mount: Fisheye view, fisheye+ 3PTZ, fisheye+4PTZ, fisheye+8PTZ, 360° 360°panorama + 1PTZ, 180°panorama view, 360° panorama + 6PTZ Wall mount: Fisheye view, 180°panorama view, 180°panorama view+3PTZ, 180°panorama view+4PTZ, 180°panorama view+8PTZ
Certifications	
EMC	CE-EMC (EN 55032: 2015+A1:2020, EN 61000-3-3: 2013+A1: 2019, EN IEC 61000-3-2: 2019+A1: 2021, EN 55035: 2017+A11:2020) FCC (FCC CFR 47 part15 B, ANSI C63.4-2014)
Safety	CE LVD (EN 62368-1:2014+A11:2017) CB (IEC 62368-1:2014) UL (UL 62368-1, 2nd Ed., Issue Date: 2014-12-01)
Environnemnt	CE-RoHS (2011/65/EU; (EU)2015/863); WEEE (2012/19/EU); Reach (Regulation (EC) No 1907/2006)
Protection	IP67 (IEC 60529:1989+AMD1:1999+AMD2:2013) IK10 (IEC 62262:2002) 4KV (Surge Protection)
General	
Power	DC 12V±25%, PoE (IEEE 802.3af)
Power Consumption	Less than 12W
Material	Metal + Plastic
Dimensions (Ø x H)	Ø149 x 55mm (Ø5.9" x 2.2")
Weight	1.155lb / 2.546kg
Working Environnement	-40°C ~ 60°C (-40°F ~ 140°F), Humidity: ≤95% RH (non-condensing)
Reset Button	Support

*Design and specifications are subjects to change without notice.



INLGDO12IRHEM

12.1MP Ultra-HD Fisheye Network Camera

Product Specifications



XLGJB04-D-IN
Junction Box



XLGSE24
Pendant Mount



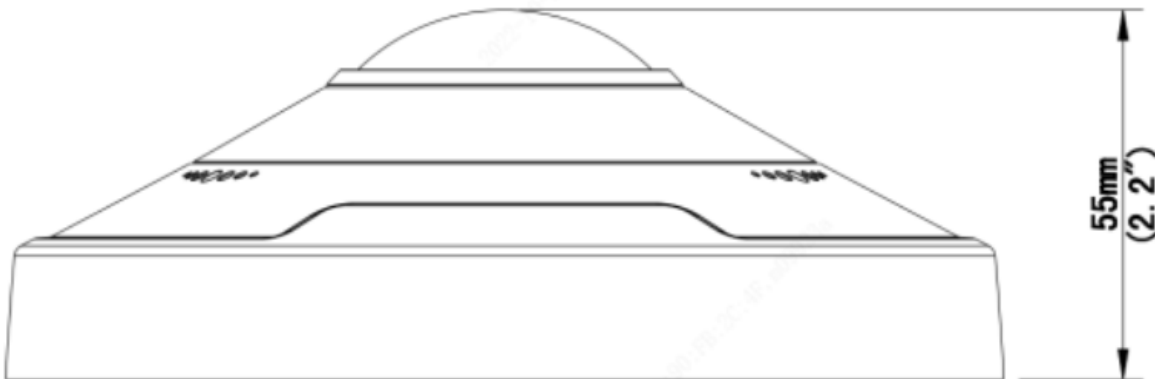
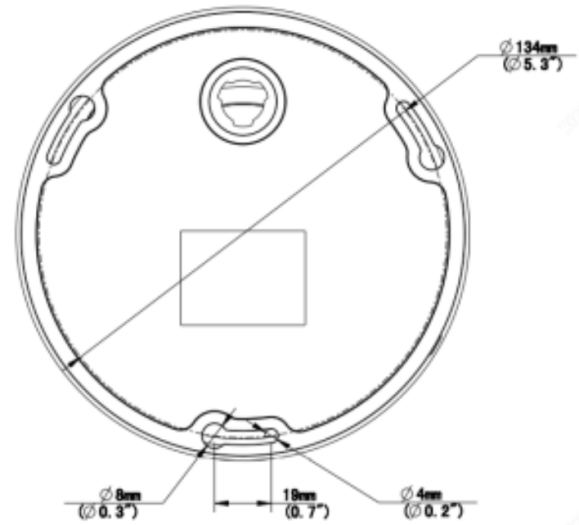
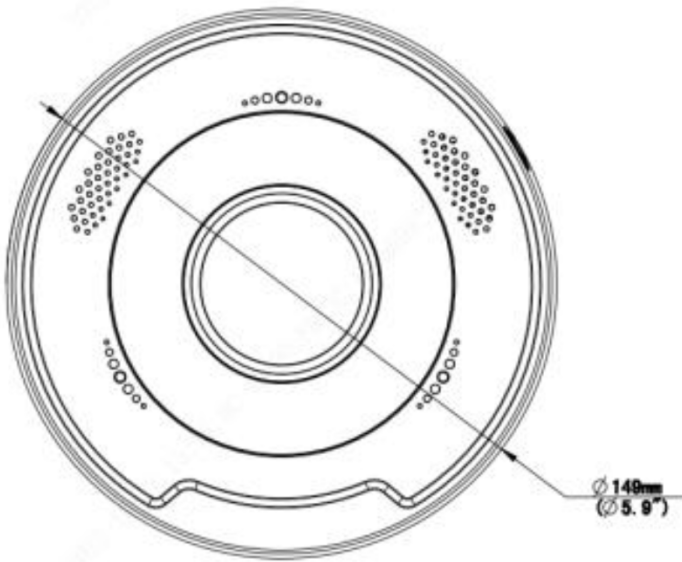
XLGCM24
Ceiling Mount



XLGSE24-A
Pendant Mount



VUSD256G
Micro SD Card



*Design and specifications are subjects to change without notice.



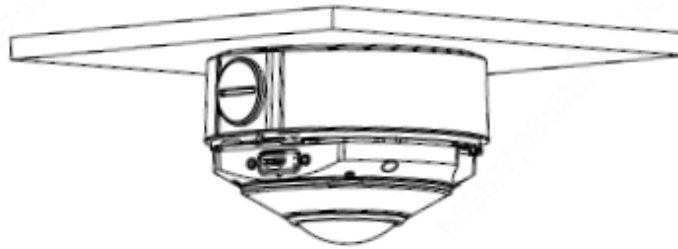
INLGDO12IRHEM

12.1MP Ultra-HD Fisheye Network Camera

Product Specifications

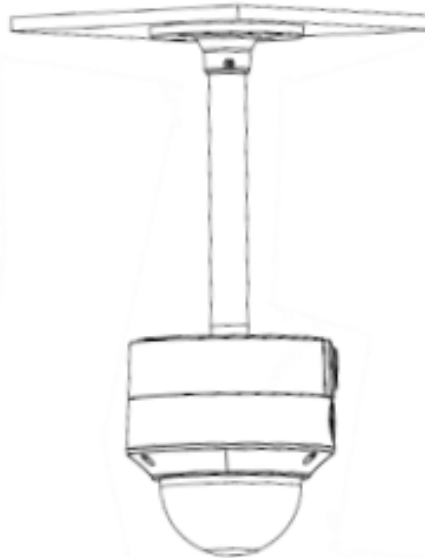
Junction Mount

XLGJB04-D



Pendant Mount

XLGJB04-D + XLGSE24 (XLGSE24-A) + XLGCM24



*Design and specifications are subjects to change without notice.

