

INLGDO4F4PTZ25X

Dual-lens 4MP Network PTZ Camera

- Fixed camera and PTZ camera integration
- Wide Dynamic Range (120 dB)
- H.265+ & H.264 encoding
- AI Features: People Flow Counting and Crowd Density Monitoring
- 25X optical zoom



NDAA
Compliant

Unify your Security Solution

You asked, we listened. Tailored especially for you, Legend is our **fully NDAA compliant brand**. It offers our latest technologies in a robust build with edge storage capacity. Legend by Inaxsys provides H.265+ compression and easy installation.

On-board Analytics

This camera responds accurately to specific events in a given area. Our algorithm enables Line Crossing violations, intrusion detection, and much more. Facilitate your viewing experience using on the edge analytics – one product, multiple features.

Seamless Integration of Fixed and PTZ Cameras

The integration ensures that you can maintain an overview of the entire environment while also having the flexibility to zoom in and scrutinize specific details when needed, all using a single IP address for streamlined management and control.



*Design and specifications are subjects to change without notice.



INLGDO4F4PTZ25X

Product Specifications

Dual-lens 4MP Network PTZ Camera

Camera	Panorama Lens	Motorized Lens			
Image Sensor	1/1.8", 4MP, CMOS	1/2.7", 4MP, CMOS			
Minimum Illumination	Color:0.0005 lux (F1.0, AGC ON), 0 lux with warm light	Color:0.003 lux (F1.5, AGC ON), 0 lux with IR			
Day/Night	N/A	IR-cut filter with auto switch (ICR)			
Electronic Speed Shutter	Auto/Manual, 1 ~ 1/100000s				
WDR	120 dB				
S/N Ratio	More than 56 dB				
Illumination					
IR Range	N/A	Up to 100m / 328ft			
Warm Light Range	Up to 30m /98.4ft	N/A			
Wavelength	N/A	850nm			
IR On & Off Control	Auto/Manual				
Lens					
Lens Type	Fixed aperture	Autofocus			
Focal Length	4mm	4.8~120mm, AF automatic focusing and motorized zoom lens			
Viewing Angle (H, V, D)	H : 94.9° V : 51.5° D : 116.7°	H : 55.46° ~ 3.09° V : 32.94° ~ 1.73° D : 68.22° ~ 3.65°			
DORI					
DORI Distance	Lens (mm)	Detect	Observe	Recognize	Identify
Panorama	4	62.1m/203.6ft	24.8m/81.5ft	12.4m/40.7ft	6.2m/20.4ft
Motorized	4.8	123.8m/406.0ft	49.5m/162.4ft	24.8m/81.5ft	12.4m/40.7ft
Motorized	120	2475.0m/8120.1ft	990.0m/3248.0ft	495m/1624ft	247.5m/812.0ft
Video					
Compression	H.265+ / H.265 / H.264 / MJPEG				
Frame Rate	Main Stream: 4MP (2688*1520),Max 30fps; Sub Stream: 1080P (1920*1080), Max 30fps; Third Stream: D1 (720*576), Max 30fps.		Main Stream: 4MP (2688*1520),Max 30fps; Sub Stream: 720P (1280*720), Max 30fps; Third Stream: D1 (720*576), Max 30fps.		
Video Bit Rate	128 Kbps~16 Mbps				
On-Screen Display (OSD)	Up to 8 OSDs				
Privacy Mask	Up to 4 areas		24 areas, up to 4 areas per scene		
Region of Interest	Up to 8 areas				
Video Stream	Triple				

*Design and specifications are subjects to change without notice.



INLGDO4F4PTZ25X

Product Specifications

Dual-lens 4MP Network PTZ Camera

Image		
White Balance	Auto/Outdoor/Fine Tune/Sodium Lamp/Locked/Auto2	
Digital Noise Reduction	2D/3D DNR	
Smart IR	Support	
Flip	Normal/Vertical/Horizontal/180°	
Hightlight Compensation (HLC)	Support	
Blacklight Compensation (BLC)	Support	
Defog	Digital Defog	
Events		
Basic Detection	Motion detection, Ultra motion detection, Tampering alarm, Audio detection	
Auto Tracking	N/A	Yes
General Function	Watermark, IP address filtering, tampering alarm, alarm input, alarm output, access policy, ARP protection, RTSP authentication, user authentication	
Audio		
Audio Compression	G.711U, G.711A	
Audio Bit Rate	64 Kbps	
Two-way Audio	Support	
Suppression	Support	
Sampling Rate	8KHZ	
Storage		
Edge Storage	Micro SD, up to 256GB	
Network Storage	ANR	
Interface		
Audio I/O	1/1	
Alarm I/O	2/1	
RS485	1	
Built- Speaker	Support	
Ethernet	1 * RJ45 10M/100M Base-TX Ethernet	

*Design and specifications are subjects to change without notice.



INLGDO4F4PTZ25X

Product Specifications

Dual-lens 4MP Network PTZ Camera

Network		
Protocols	IPv4, IGMP, ICMP, ARP, TCP, UDP, DHCP, PPPoE, RTP, RTSP, RTCP, DNS, DDNS, NTP, FTP, UPnP, HTTP, HTTPS, SMTP, 802.1x, SNMP, QoS, RTMP, SSL/TLS	
Compatibility	ONVIF (Profile S, Profile G, Profile T), API, SDK	
User/Host	Up to 32 users. 3 user levels: administrator, operator and common user	
Security	Password protection, strong password, HTTPS encryption, Export operation logs, basic and digest authentication for RTSP, digest authentication for HTTP, TLS 1.2, WSSE and digest authentication for ONVIF	
Management software	LEGEND VMS, ARKIV	
Web Browser	Plug-in required live view: IE 10 and above, Chrome 45 and above, Firefox 52 and above, Edge 79 and above	
PTZ		
Pan Range	N/A	Endless: 360°
Pan Speed	N/A	0.1°/s ~ 80°/s
	N/A	Preset speed: 80°/s
Tilt Range	18° ± 5°	-15° ~ 90°
Tilt Speed	N/A	0.1°/s ~ 80°/s
	Preset speed: N/A	Preset speed: 80°/s
Number of Presets	1024	
Preset Patrol	16 patrols, up to 64 presets for each patro	
Route Patrol	16 patrols, up to 32 actions for each patrol	
Recorded Patrol	16 patrols, up to 128 actions for each patro	
Patrol Stay Time	15s ~ 1800s	
Home Position	Support	
Certifications		
EMC	CE-EMC (EN 55032: 2015+A1:2020, EN 61000-3-3: 2013+A1: 2019, EN IEC 61000-3-2: 2019+A1: 2021, EN 55035: 2017+A11:2020) FCC (FCC CFR 47 part 15 B, ANSI C63.4-2014)	
Safety	CE LVD (EN 62368-1:2014+A11:2017) CB (IEC 62368-1:2014) UL (UL 62368-1, 2nd Ed., Issue Date: 2014-12-01)	
Environment	CE-RoHS (2011/65/EU; (EU)2015/863);	
Protection	IP66 (IEC 60529:1989+AMD1:1999+AMD2:2013) 6KV (Surge Protection)	
General		
Power	DC 12V±25%, PoE (IEEE 802.3af)	
Power Consumption	Less than 24W	
Power Interface	Ø 5.5mm coaxial power plug	
Dimensions (Ø x H)	Φ163 x 304mm (Φ6.4" x 12.0")	
Weight	5.0lb/2.27kg	
Working Environment	-40°C ~ 65°C (-40°F ~ 149°F), Humidity: ≤95% RH (non-condensing)	
Reset Button	Support	

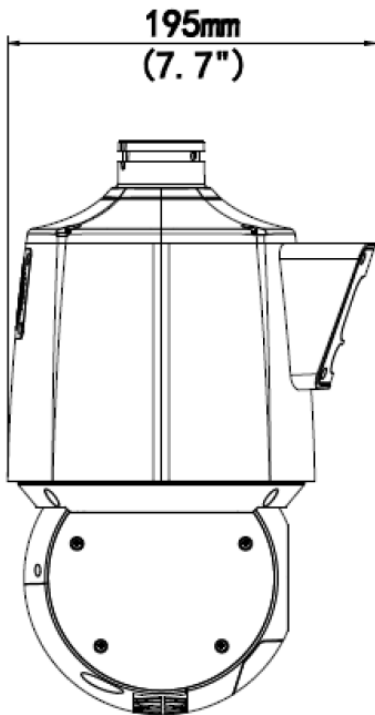
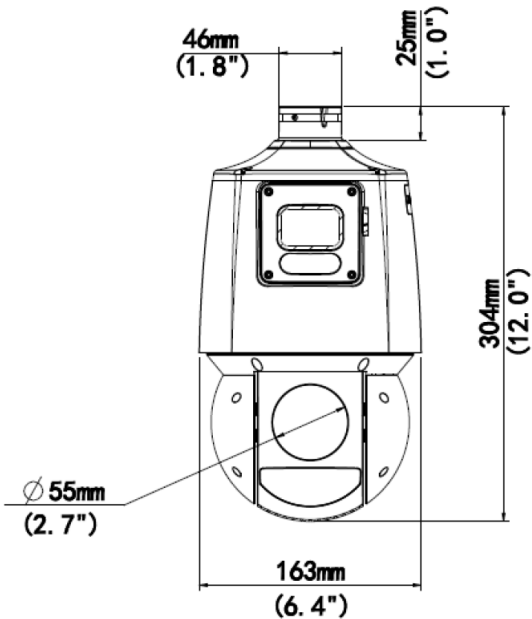
*Design and specifications are subjects to change without notice.



INLGDO4F4PTZ25X

Dual-lens 4MP Network PTZ Camera

Product Specifications



XLGCE45
Pendant Mount



XLGWE45
Wall Mount



XLGWE45A
Wall Mount



XLGSE45-A
Pendant Mount



XLGUF45-H
Pendant Mount



XLGJB12
Junction Box



XLGWE45-B
Parapet Mount



XLGSE45
Pendant Mount



XLGUP08-A
XLGUP08-B
Pole Mount



XLGUC08
XLGUC08-B
Corner Mount

*Design and specifications are subjects to change without notice.



INLGDO4F4PTZ25X

Product Specifications

Dual-lens 4MP Network PTZ Camera

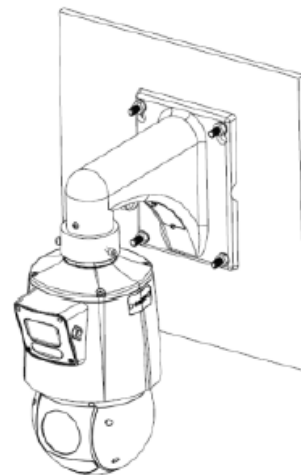
Pendant Mount

XLGCE45



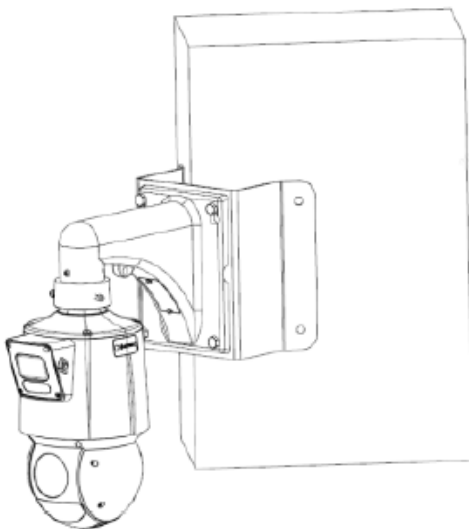
Wall Mount

XLGWE45 / XLGWE45-A



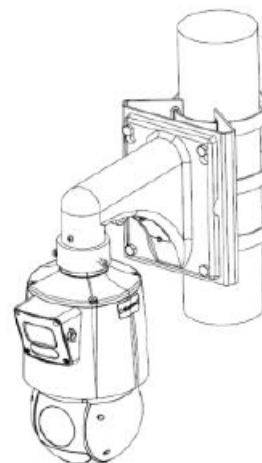
Corner Mount

XLGUC08 + XLGJB12 + XLGWE45



Pole Mount

XLGUP08A + XLGJB12 + XLGWE45



*Design and specifications are subjects to change without notice.

