

# INLGDO4PTZ25X

## 4MP Network 25x PTZ Camera

- High quality image with 4MP, 1/2.8" CMOS sensor
- Ultra-high image quality in low light environments
- H.265+ & H.264+ encoding
- Smart IR, up to 100m (328 ft) IR distance
- Face capture, automatic selection of best snapshots
- Alarm: 2 in/1 out, Audio: 1 in/1 out
- Smart intrusion prevention, supports false alarm filtering, includes line crossing, Intrusion, Enter/Leave Area detection

### Unify your Security Solution

You asked, we listened. Tailored especially for you, Legend is our **fully NDA compliant brand**. It offers our latest technologies in a robust build with edge storage capacity. Legend by Inaxsys provides H.265+ compression and easy installation.

### Smart H.265+ & H.264+

LEGEND smart encoding technology provides high-quality video with higher efficiency and also reduces the cost of storage space and transmission bandwidth by adopting an advanced algorithm of auto stream control.

### On-board Analytics

This camera responds accurately to specific events in a given area. Our algorithm enables Human Detection, intrusion detection, Tampering Alarm and much more. Facilitate your viewing experience using on the edge analytics – one product, multiple features.

\*Design and specifications are subjects to change without notice.



## NDA Compliant



# INLGDO4PTZ25X

## Product Specifications

### 4MP Network 25x PTZ Camera

Camera					
Image Sensor	1/2.8", 4.0 megapixel, progressive scan, CMOS				
Scanning System	Progressive				
Minimum Illumination	Colour: 0.003 lux (F1.5, AGC ON), 0 lux with IR on				
Day/Night	IR-cut filter with auto switch (ICR)				
Electronic Speed Shutter	Auto/Manual, 1 ~ 1/100000s				
WDR	120 dB				
S/N Ratio	More than 56 dB				
Illumination					
IR Range	Up to 100m/328ft				
Wavelength	850nm				
IR On & Off Control	Auto/Manual				
Lens					
Lens Type	Autofocus				
Focal Length	4.8 ~ 120mm, AF automatic focusing and motorized zoom lens				
Viewing Angle (H, V, D)	H : 52.20°~2.74°	V : 30.81°~1.54°	D : 64.20°~3.23°		
DORI					
DORI Distance	Lens (mm)	Detect	Observe	Recognize	Identify
	4.8	119.3m/391.2ft	47.7m/156.5ft	23.9m/78.2ft	11.9m/39.1ft
	120	2475.0m/8120.1ft	990.0m/3248.0ft	495m/1624ft	247.5m/812.0ft
Video					
Compression	H.265+ / H.265 / H.264 / MJPEG				
H.264 code profile	Baseline profile, Main profile, High profile				
Frame Rate	Main Stream: 4MP(2688*1520),Max 30fps.  Sub Stream: 2MP (1920*1080), Max 30fps.  Third Stream: D1 (720*576), Max 30fps.				
Video Bit Rate	128 Kbps~16 Mbps				
On-Screen Display (OSD)	Up to 8 OSDs				
Privacy Mask	24 areas, up to 4 areas per scene				
Region of Interest	Supports				
Video Stream	Triple				

\*Design and specifications are subjects to change without notice.



# INLGDO4PTZ25X

## Product Specifications

### 4MP Network 25x PTZ Camera

Image	
White Balance	Auto/Outdoor/Fine Tune/Sodium Lamp/Locked/Auto2
Digital Noise Reduction	2D/3D DNR
Smart IR	Support
Flip	Normal/Vertical/Horizontal/180°/90°Clockwise/90°Anti-Clockwise
Hightlight Compensation (HLC)	Support
Blacklight Compensation (BLC)	Support
Defog	Digital Defog
Artificial Intelligence	
Smart Intrusion Prevention	Support false alarm filtering: Cross Line detection, Intrusion detection, Enter Area detection, Leave Area detection
Statistical Analysis	People counting, support people flow counting and crowd density monitoring
Events	
Basic Detection	Motion detection, Ultra motion detection, Tampering alarm, Audio detection
Auto Tracking	Yes
General Function	Watermark, IP address filtering, tampering alarm, alarm input, alarm output, access policy, ARP protection, RTSP authentication, user authentication
Audio	
Audio Compression	G.711U, G.711A
Audio Bit Rate	64 Kbps
Two-way Audio	Support
Suppression	Support
Sampling Rate	8KHZ
Storage	
Edge Storage	Micro SD, up to 256GB
Network Storage	ANR, NAS(NFS)
Interface	
Audio I/O	1/1
Alarm I/O	2/1
RS485	1
Ethernet	1 * RJ45 10M/100M Base-TX Ethernet
Video Output	1 BNC

\*Design and specifications are subjects to change without notice.



# INLGDO4PTZ25X

## Product Specifications

### 4MP Network 25x PTZ Camera

Network	
Protocols	IPv4, IGMP, ICMP, ARP, TCP, UDP, DHCP, PPPoE, RTP, RTSP, RTCP, DNS, DDNS, NTP, FTP, UPnP, HTTP, HTTPS, SMTP, 802.1x, SNMP, QoS, RTMP, SSL/TLS
Compatibility	ONVIF (Profile S, Profile G, Profile T), API, SDK
User/Host	Up to 32 users. 3 user levels: administrator, operator and common user
Security	Password protection, strong password, HTTPS encryption, Export operation logs, basic and digest authentication for RTSP, digest authentication for HTTP, TLS 1.2, WSSE and digest authentication for ONVIF
Management software	LEGEND VMS, ARKIV
Web Browser	Plug-in required live view: IE 10 and above, Chrome 45 and above, Firefox 52 and above, Edge 79 and above
PTZ	
Pan Range	Endless: 360°
Pan Speed	0.1°/s ~ 200°/s
	Preset speed: 240°/s
Tilt Range	Auto Reverse: -15° ~ 90°
Tilt Speed	0.1°/s ~ 120°/s
	Preset speed: 200°/s
Number of Presets	1024
Preset Patrol	16 patrols, up to 64 presets for each patro
Route Patrol	16 patrols, up to 32 actions for each patrol
Recorded Patrol	16 patrols, up to 128 actions for each patro
Patrol Stay Time	15s ~ 1800s
Preset Image Freeze	Support
Home Position	Support
Certifications	
EMC	CE-EMC (EN 55032: 2015+A1:2020, EN 61000-3-3: 2013+A1: 2019, EN IEC 61000-3-2: 2019+A1: 2021, EN 55035: 2017+A11:2020) FCC (FCC CFR 47 part15 B, ANSI C63.4-2014)
Safety	CE LVD (EN 62368-1:2014+A11:2017) CB (IEC 62368-1:2014) UL (UL 62368-1, 2nd Ed., Issue Date: 2014-12-01)
Environment	CE-RoHS (2011/65/EU; (EU)2015/863); WEEE (2012/19/EU); Reach (Regulation (EC) No 1907/2006)
Protection	IP67 (IEC 60529:1989+AMD1:1999+AMD2:2013) IK10 (IEC 62262:2002) 6KV (Surge Protection)
General	
Power	DC 12V±25%, PoE (IEEE 802.3af)
Power Consumption	Less than 21W
Power Interface	Ø 5.5mm coaxial power plug
Dimensions (Ø x H)	Ø166 x 295mm (Ø6.5" x 11.6")
Weight	6.72lb / 3.05kg
Working Environment	-40°C ~ 70°C (-40°F ~ 158°F), Humidity: ≤95% RH (non-condensing)
Reset Button	Support

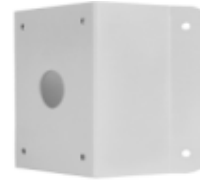
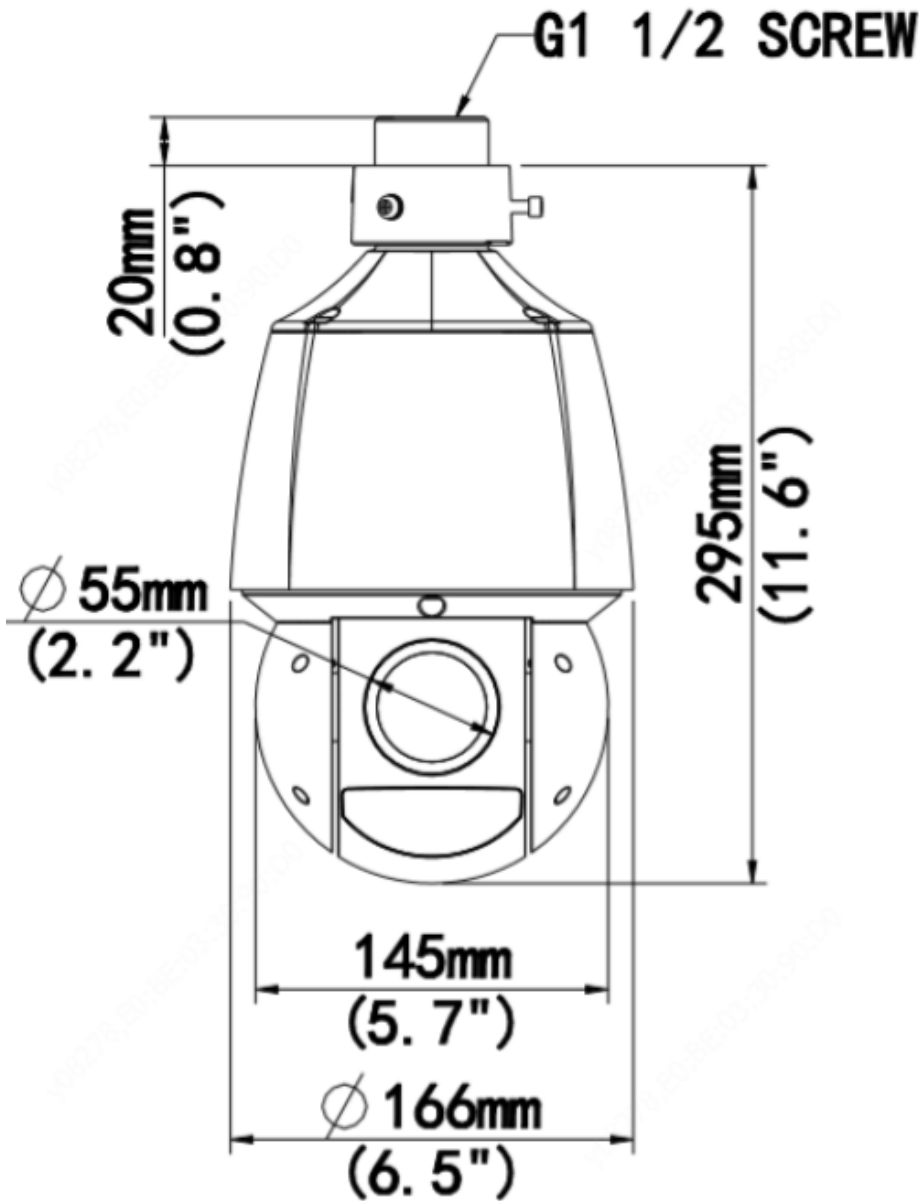
\*Design and specifications are subjects to change without notice.



# INLGDO4PTZ25X

4MP Network 25x PTZ Camera

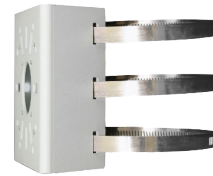
## Product Specifications



**XLGUC08**  
Corner Mount



**XLGJB12**  
Junction Box



**XLGUP08A**  
**XLGUP08-B**  
Pole Mount



**XLGWE45**  
**XLGWE45A**  
Wall Mount



**XLGSE45-A**



**XLGSE45**



**VUSD256G**  
Micro SD Card



**XLGWE45-B**  
Parapet Mount

\*Design and specifications are subjects to change without notice.



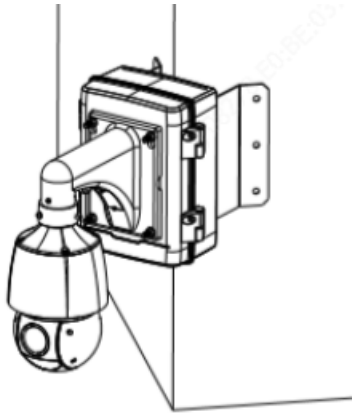
# INLGDO4PTZ25X

## Product Specifications

4MP Network 25x PTZ Camera

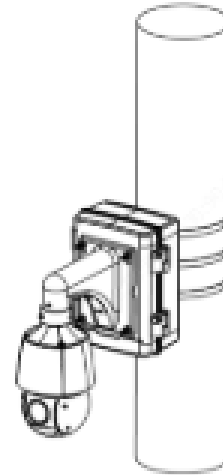
### Corner Mount

XLGJB12 + XLWE45A + XLGUC08



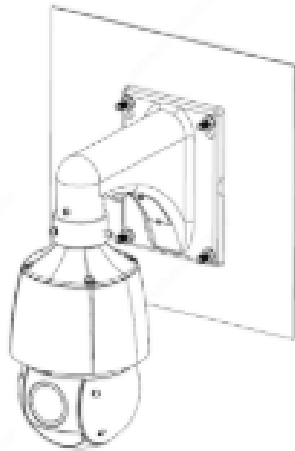
### Pole Mount

XLGUP08A + XLGJB12 + XLGWE45



### Wall Mount

XLGWE45 / XLGWE45A



### Pendent Mount

XLGCE45



\*Design and specifications are subjects to change without notice.

