

INLGDO4PTZ33X

4MP Network 33x PTZ Camera

- High quality image with 4MP, 1/2.8" CMOS sensor
- Ultra-high image quality in low light environments
- H.265+ & H.264+ encoding
- Smart IR, up to 150m (492 ft) IR distance
- Face capture, automatic selection of best snapshots
- Alarm: 2 in/1 out, Audio: 1 in/1 out
- Smart intrusion prevention, supports false alarm filtering, includes line crossing, Intrusion, Enter/Leave Area detection

Unify your Security Solution

You asked, we listened. Tailored especially for you, Legend is our **fully NDA compliant brand**. It offers our latest technologies in a robust build with edge storage capacity. Legend by Inaxsys provides H.265+ compression and easy installation.

Smart H.265+ & H.264+

LEGEND smart encoding technology provides high-quality video with higher efficiency and also reduces the cost of storage space and transmission bandwidth by adopting an advanced algorithm of auto stream control.

On-board Analytics

This camera responds accurately to specific events in a given area. Our algorithm enables Human Detection, intrusion detection, Tampering Alarm and much more. Facilitate your viewing experience using on the edge analytics – one product, multiple features.



**NDA
Compliant**



*Design and specifications are subjects to change without notice.



INLGDO4PTZ33X

Product Specifications

4MP Network 33x PTZ Camera

Camera					
Image Sensor	1/2.8"CMOS				
Minimum Illumination	Colour: 0.003 lux (F1.5, AGC ON), 0 lux with IR on				
Day/Night	IR-cut filter with auto switch (ICR)				
Electronic Speed Shutter	Auto/Manual, 1 ~ 1/100000s				
WDR	120 dB				
S/N Ratio	More than 56 dB				
Illumination					
IR Range	Up to 150m/492.1ft				
Wavelength	850nm				
IR On & Off Control	Auto/Manual				
Lens					
Lens Type	Autofocus				
Focal Length	4.5~148.5mm				
Digital Zoom	16x				
Optical Zoom	33x				
Viewing Angle (H, V, D)	H : 51.4° ~ 2.5°	V : 30.3° ~ 1.4°	D : 63.2° ~ 3.0°		
DORI					
DORI	Lens (mm)	Detect	Observe	Recognize	Identify
Distance	4.5	105.8m/346.9ft	42.3m/138.8ft	21.1m/69.4ft	10.6m/34.7ft
	148.5	3172.5m/10408.5ft	1269.0m/4163.4ft	634.5m/2081.7ft	317.3m/1040.8ft
Video					
Compression	H.265+ / H.265 / H.264 / MJPEG				
H.264 code profile	Baseline profile, Main profile, High profile				
Frame Rate	Main Stream: 4MP(2688*1520),Max 30fps. Sub Stream: 2MP (1920*1080), Max 30fps. Third Stream: D1 (720*576), Max 30fps.				
Video Bit Rate	128 Kbps~16 Mbps				
On-Screen Display (OSD)	Up to 8 OSDs				
Privacy Mask	24 areas, up to 4 areas per scene				
Region of Interest	Supports				
Video Stream	Triple				

*Design and specifications are subjects to change without notice.



INLGDO4PTZ33X

Product Specifications

4MP Network 33x PTZ Camera

Image	
White Balance	Auto/Outdoor/Fine Tune/Sodium Lamp/Locked/Auto2
Digital Noise Reduction	2D/3D DNR
Smart IR	Support
Flip	Normal/Vertical/Horizontal/180°
Hightlight Compensation (HLC)	Support
Blacklight Compensation (BLC)	Support
Defog	Digital Defog
Artificial Intelligence	
Exception Detection	Object Removed/Object Left Behind
Smart Intrusion Prevention	Support false alarm filtering: Cross Line detection, Intrusion detection, Enter Area detection, Leave Area detection
Statistical Analysis	People counting, support people flow counting and crowd density monitoring
Events	
Basic Detection	Motion detection, Ultra motion detection, Tampering alarm, Audio detection
Auto Tracking	Yes
General Function	Watermark, IP address filtering, tampering alarm, alarm input, alarm output, access policy, ARP protection, RTSP authentication, user authentication
Audio	
Audio Compression	G.711U; G.711A
Audio Bit Rate	128 Kbps
Two-way Audio	Support
Suppression	Support
Sampling Rate	16KHZ
Storage	
Edge Storage	Micro SD, up to 256GB
Network Storage	ANR, NAS(NFS)
Interface	
Audio I/O	1/1
Alarm I/O	2/1
RS485	1
Ethernet	1 * RJ45 10M/100M Base-TX Ethernet
Video Output	1 BNC

*Design and specifications are subjects to change without notice.



INLGDO4PTZ33X

Product Specifications

4MP Network 33x PTZ Camera

Network	
Protocols	IPv4, IPv6, IGMP, RTP, SMTP, ARP, TCP, UDP, DHCP, PPPoE, RTSP, RTCP, RTMP, DNS, DDNS, NTP, FTP, UPnP, HTTP, HTTPS, 802.1x, SNMP, QoS, SSL/TLS, ICMP
Compatibility	ONVIF (Profile S, Profile G, Profile T), API, SDK
User/Host	Up to 32 users. 3 user levels: administrator, operator and common user
Security	Password protection, strong password, HTTPS encryption, Export operation logs, basic and digest authentication for RTSP, digest authentication for HTTP, TLS 1.2, WSSE and digest authentication for ONVIF
Management software	LEGEND VMS, ARKIV
Web Browser	Plug-in required live view: IE 10 and above, Chrome 45 and above, Firefox 52 and above, Edge 79 and above
PTZ	
Pan Range	Endless: 360°
Pan Speed	0.1°/s ~ 200°/s
Tilt Range	Auto Reverse: -15° ~ 90°
Tilt Speed	0.1°/s ~ 120°/s
Number of Presets	1024
Preset Patrol	16 patrols, up to 64 presets for each patro
Route Patrol	16 patrols, up to 32 actions for each patrol
Recorded Patrol	16 patrols, up to 128 actions for each patro
Patrol Stay Time	15s ~ 1800s
Preset Image Freeze	Support
Home Position	Support
Certifications	
EMC	CE-EMC (EN 55032: 2015+A1:2020, EN 61000-3-3: 2013+A1: 2019, EN IEC 61000-3-2: 2019+A1: 2021, EN 55035: 2017+A11:2020) FCC (FCC CFR 47 part 15 B, ANSI C63.4-2014)
Safety	CE LVD (EN 62368-1:2014+A11:2017) UL (UL 62368-1, 2nd Ed., Issue Date: 2014-12-01)
Protection	IP66 (IEC 60529:1989+AMD1:1999+AMD2:2013) 6KV (Surge Protection)
General	
Power	AC 24V±25%, DC 24V±25%, PoE+ (IEEE802.3 at)
Power Consumption	Less than 25W
Power Interface	Wires with cold-pressed terminal
Dimensions (Ø x H)	Ø 227 x 384.8 mm (Ø 8.9" x 15.1")
Weight	11.64lb / 5.28kg
Working Environment	-40°C ~ 70°C (-40°F ~ 158°F), Humidity: ≤95% RH (non-condensing)
Reset Button	Support

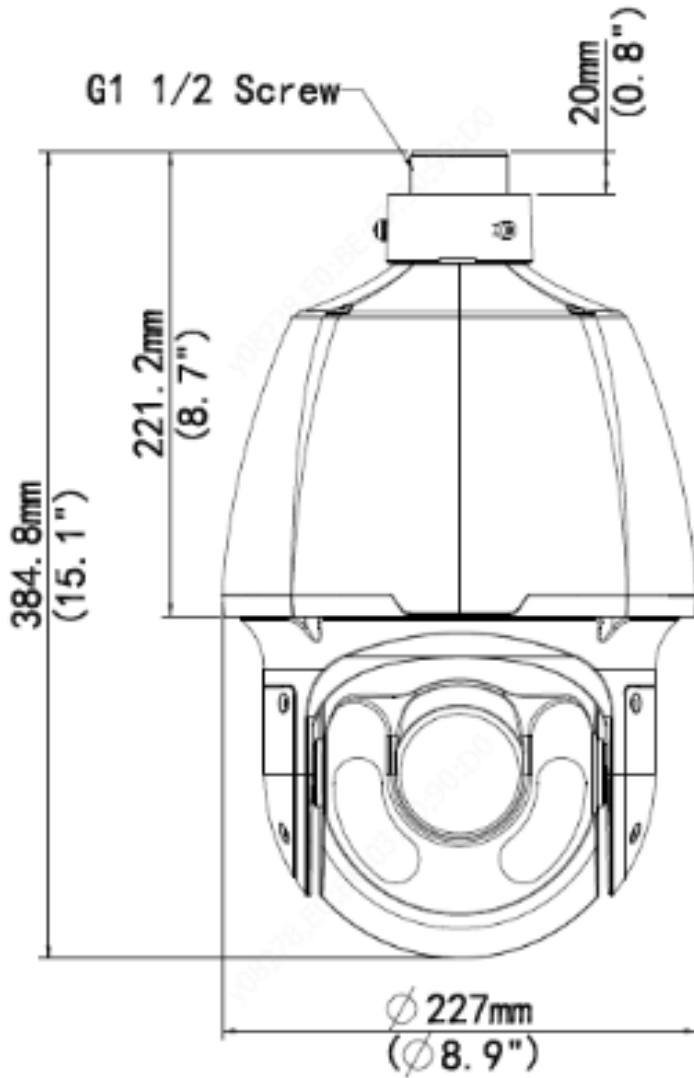
*Design and specifications are subjects to change without notice.



INLGDO4PTZ33X

4MP Network 33x PTZ Camera

Product Specifications



XLGJB12
Junction Box



XLGWE45A
Wall Mount



XLGCE45
Pendant Dome



XLGWE45
Wall Mount



XLGSE45
Pendant Mount



XLGWE45-B
Bracket Mount



XLGUP08A
XLGUP08-B
Pole Mount



XLGUC08
XLGUC08-B
Corner Mount



XLGSE45-A
Pendant Mount



VUSD256G
Micro SD Card

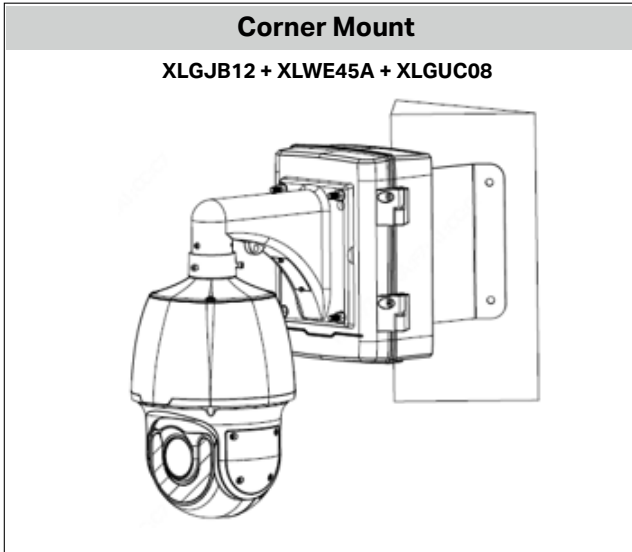
*Design and specifications are subjects to change without notice.



INLGDO4PTZ33X

Product Specifications

4MP Network 33x PTZ Camera



*Design and specifications are subjects to change without notice.

