

INLGDO5ADPTZ

5 MP AI Active Deterrence Network Mini PTZ Camera

- High quality image with 5MP, 1/2.7" CMOS sensor
- Wide Dynamic Range (120 dB)
- H.265+ & H.264 encoding
- AI Features: People Flow Counting and Crowd Density Monitoring
- Smart IR, Up to 50 m (164ft) IR distance
- Built-in Microphone & Speaker

Unify your Security Solution

You asked, we listened. Tailored especially for you, Legend is our **fully NDA compliant brand**. It offers our latest technologies in a robust build with edge storage capacity. Legend by Inaxsys provides H.265+ compression and easy installation.

On-board Analytics

This camera responds accurately to specific events in a given area. Our algorithm enables Line Crossing violations, intrusion detection, and much more. Facilitate your viewing experience using on the edge analytics – one product, multiple features.

Active Deterrence Feature

This feature is typically triggered when the camera detects motion or sound within its range, and can be set to activate specific actions, such as sounding an alarm or flashing bright lights, to scare away intruders or warn people in the vicinity.



NDA Compliant



*Design and specifications are subjects to change without notice.



INLGDO5ADPTZ

5 MP AI Active Deterrence Network Mini PTZ Camera

Product Specifications

Camera					
Image Sensor	1/2.7" progressive scan, 5.0 megapixel, CMOS				
Scanning System	Progressive				
Minimum Illumination	Colour:0.002 lux (F1.2,AGC ON) 0 lux with IR				
Day/Night	IR-cut filter with auto switch (ICR)				
Electronic Speed Shutter	Auto/Manual, 1 ~ 1/100000s				
WDR	120 dB				
S/N Ratio	More than 52 dB				
Illumination					
IR Range	Up to 50m/164ft				
Warm Light Range	Up to 10m/33ft				
Wavelength	850nm				
IR On & Off Control	Auto/Manual				
Lens					
Lens Type	Fixed				
Focal Length	2.8~12mm, AF automatic focusing and motorized zoom lens				
Optical Zoom	4x				
Viewing Angle (H, V, D)	H : 106.9° ~ 30.6°	V : 56.0° ~ 17.7°	D : 139.0° ~ 37.6°		
DORI					
DORI Distance	Lens (mm)	Detect	Observe	Recognize	Identify
	2.8	63.0m/206.7ft	25.2m/82.7ft	12.6m/41.3ft	6.3m/20.7ft
	12	270.0m/885.8ft	108.0m/354.3ft	54m/177.2ft	27m/88.6ft
Video					
Compression	H.265+ / H.265 / H.264 / MJPEG				
Frame Rate	Main Stream: 4MP(2688*1520),Max 30fps. Sub Stream: 720P (1280*720), Max 30fps Third Stream: D1 (720*576), Max 30fps.				
Video Bit Rate	128 Kbps~16 Mbps				
On-Screen Display (OSD)	Up to 8 OSDs				
Privacy Mask	Up to 4 areas				
Region of Interest	Support				
Video Stream	Triple				

*Design and specifications are subjects to change without notice.



INLGDO5ADPTZ

5 MP AI Active Deterrence Network Mini PTZ Camera

Product Specifications

Image	
White Balance	Auto/Outdoor/Fine Tune/Sodium Lamp/Locked/Auto2
Digital Noise Reduction	2D/3D DNR
Smart IR	Support
Flip	Normal/Vertical/Horizontal/180°
Hightlight Compensation (HLC)	Support
Blacklight Compensation (BLC)	Support
Defog	Digital Defog
Events	
Basic Detection	Motion detection, Ultra motion detection, Tampering alarm, Audio detection
Auto Tracking	Yes
General Function	Watermark, IP address filtering, tampering alarm, alarm input, alarm output, access policy, ARP protection, RTSP authentication, user authentication
Audio	
Audio Compression	G.711U, G.711A
Audio Bit Rate	64 Kbps
Two-way Audio	Support
Suppression	Support
Sampling Rate	16KHZ
Storage	
Edge Storage	Micro SD, up to 256GB
Network Storage	ANR, NAS(NFS)
Interface	
Built-in Mic	Yes
Built-in Speaker	Yes
Ethernet	1 * RJ45 10M/100M Base-TX Ethernet

*Design and specifications are subjects to change without notice.



INLGDO5ADPTZ

5 MP AI Active Deterrence Network Mini PTZ Camera

Product Specifications

Network	
Protocols	IPv4, IPv6, IGMP, ICMP, ARP, TCP, UDP, DHCP, PPPoE, RTP, RTSP, RTCP, DNS, DDNS, NTP, FTP, UPnP, HTTP, HTTPS, SMTP, 802.1x, SNMP, SSL
Compatibility	ONVIF (Profile S, Profile G, Profile T), API, SDK
Management software	LEGEND VMS, ARKIV
Web Browser	Plug-in required live view: IE 10 and above, Chrome 45 and above, Firefox 52 and above, Edge 79 and above
PTZ	
Pan Range	0° ~ 345°
Pan Speed	0.1°/s ~ 50°/s
	Preset speed: 50°/s
Tilt Range	-10° ~ 110°
Tilt Speed	0.1°/s ~ 120°/s
	Preset speed: 40°/s
Number of Presets	256
Preset Patrol	16 patrols, up to 64 presets for each patro
Patrol Stay Time	120s ~1800s
Home Position	Support
Certifications	
EMC	CE-EMC (EN 55032: 2015+A1:2020, EN 61000-3-3: 2013+A1: 2019, EN IEC 61000-3-2: 2019+A1: 2021, EN 55035: 2017+A11:2020) FCC (FCC CFR 47 part15 B, ANSI C63.4-2014)
Safety	CE LVD (EN 62368-1:2014+A11:2017) CB (IEC 62368-1:2014) UL (UL 62368-1, 2nd Ed., Issue Date: 2014-12-01)
Environment	CE-RoHS (2011/65/EU;(EU)2015/863); WEEE (2012/19/EU); Reach (Regulation (EC) No 1907/2006)
Protection	IP66 (IEC 60529:1989+AMD1:1999+AMD2:2013) 2KV (Surge Protection)
General	
Power	DC 12V±25%, PoE (IEEE 802.3af)
Power Consumption	Less than 18W
Power Interface	Ø 5.5mm coaxial power plug
Dimensions (Ø x H)	Ø133mm*269mm (Ø5.2"x 10.6")
Weight	1.92lb / 0.87kg
Working Environment	-40°C ~ 70°C (-40°F ~ 158°F), Humidity: ≤95% RH (non-condensing)
Reset Button	Support

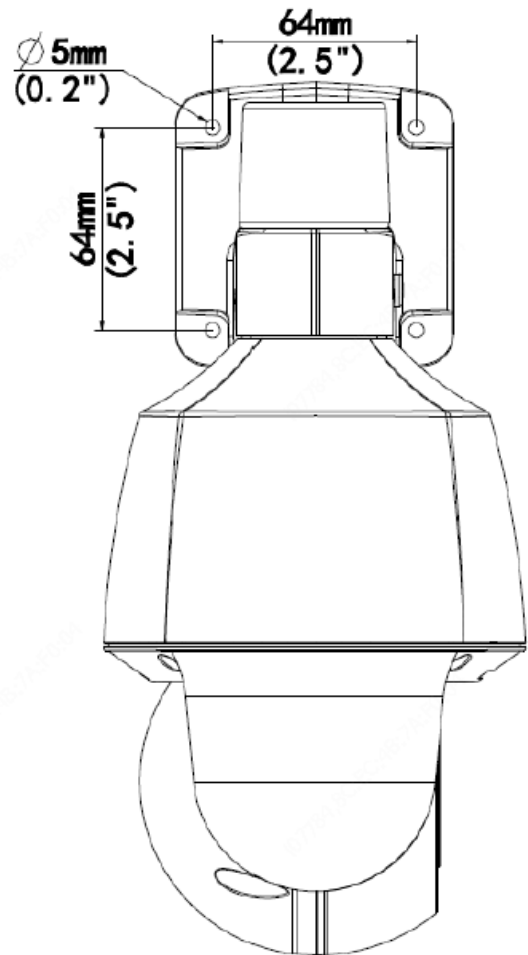
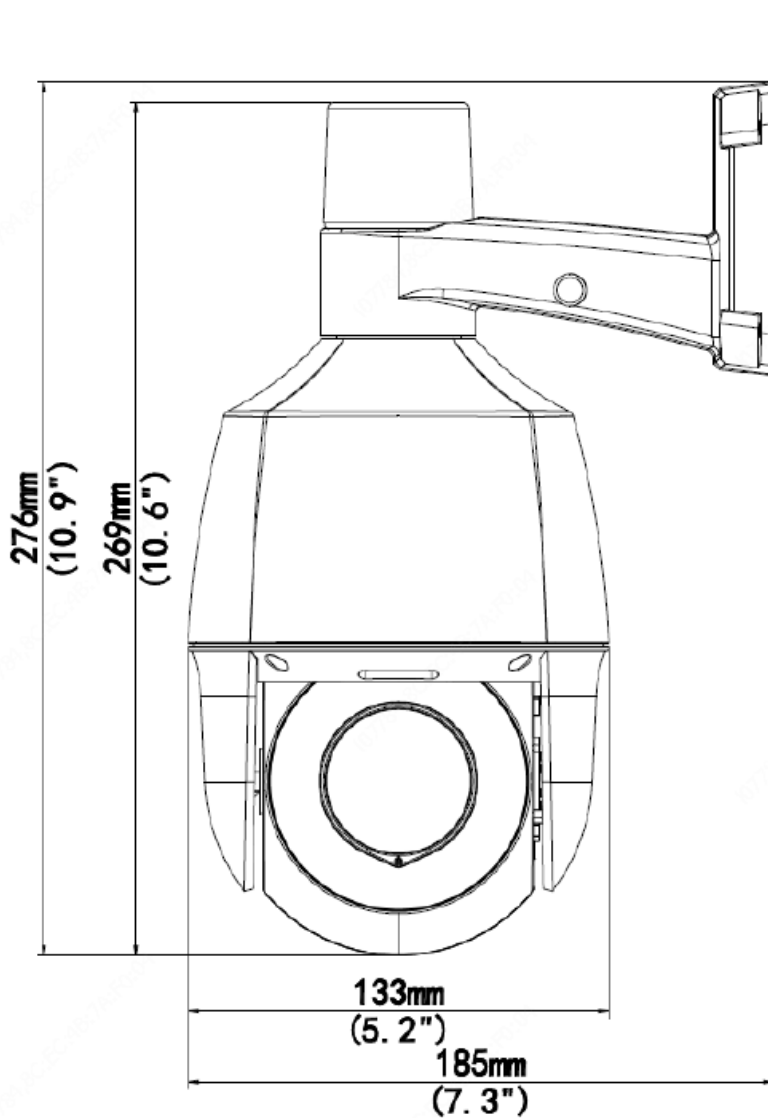
*Design and specifications are subjects to change without notice.



INLG05ADPTZ

5 MP AI Active Deterrence
Network Mini PTZ Camera

Product Specifications



XLGJB07-D
Junction Box



XLGUP06-C
Pole Mount



XLGUP06-B
Pole Mount



XLGCM06-D
Ceiling Mount



VUSD256G
Micro SD Card

*Design and specifications are subjects to change without notice.

