

INLGDO5IRWF

5 MP AI Fixed Dome Network Camera w/IR, SD Slot

- High quality image with 5MP, 1/2.7" CMOS sensor
- True WDR (120 dB) to offer you the best image in the most demanding lighting conditions
- H.265+ & H.264 encoding
- Smart IR, Up to 30 m (98ft) IR distance
- Supports Micro SD Card, up to 256GB



**NDAA
Compliant**

Unify your Security Solution

You asked, we listened. Tailored especially for you, Legend is our **fully NDAA compliant brand**. It offers our latest technologies in a robust build with edge storage capacity. Legend by Inaxsys provides H.265+ compression and easy installation.

Smart H.265+ & H.264

LEGEND smart encoding technology provides high-quality video with higher efficiency and also reduces the cost of storage space and transmission bandwidth by adopting an advanced algorithm of auto stream control.

Wide Dynamic Range

This camera offers vivid imaging in any scenario. Using industry-leading WDR technology, you'll be able to capture the subject in the most difficult lighting conditions.



*Design and specifications are subjects to change without notice.



INLGDO5IRWF

5 MP AI Fixed Dome Network Camera w/IR, SD Slot

Product Specifications

Camera					
Image Sensor	1/2.7", 5.0 megapixel, progressive scan, CMOS				
Scanning System	Progressive				
Minimum Illumination	Colour: 0.002 lux (F1.6, AGC ON), 0 lux with IR				
Day/Night	IR-cut filter with auto switch (ICR)				
Electronic Speed Shutter	Auto/Manual, 1 ~ 1/100000s				
Pan/Tilt/Rotate	Pan: 3° ~ 360°	Tilt: 0° ~ 68°	Rotate: 3° ~ 360°		
WDR	120 dB				
S/N Ratio	More than 56 dB				
Illumination					
IR Range	Up to 30m/98ft				
Wavelength	850nm				
IR On & Off Control	Auto/Manual				
Lens					
Lens Type	Fixed				
Focal Length	2.8mm				
Viewing Angle (H, V, D)	H : 96.1°	V : 55.3°	D : 111.1°		
DORI					
DORI Distance	Lens (mm)	Detect	Observe	Recognize	Identify
	2.8	63m/206.7ft	25.2m/82.7ft	12.6m / 41.3ft	6.3m / 20.7ft
Video					
Compression	H.265+ / H.265 / H.264 / MJPEG				
H.264 code profile	Baseline profile, Main profile, High profile				
Frame Rate	Main Stream: 5MP (2880*1620), Max 30fps; 4MP (2560*1440), Max 30fps; 3MP (2304*1296), Max 30fps; 1080P (1920*1080), Max 30fps; Sub Stream: 720P (1280*720), Max 30fps; D1 (720*576), Max 30fps; 640*360, Max 30fps; Third Stream: D1 (720*576), Max 30fps; 640*360, Max 30fps; 2CIF (704*288), Max 30fps; CIF (352*288), Max 30fps;				
Video Bit Rate	128 Kbps~16 Mbps				
On-Screen Display (OSD)	Up to 8 OSDs				
Privacy Mask	Up to 4 areas				
Region of Interest	Up to 8 areas				
Video Stream	Triple				

*Design and specifications are subjects to change without notice.



INLGDO5IRWF

5 MP AI Fixed Dome Network Camera w/IR, SD Slot

Product Specifications

Image	
White Balance	Auto/Outdoor/Fine Tune/Sodium Lamp/Locked/Auto2
Digital Noise Reduction	2D/3D DNR
Smart IR	Support
Flip	Normal/Vertical/Horizontal/180°/90°Clockwise/90°Anti-Clockwise
Hightlight Compensation (HLC)	Support
Blacklight Compensation (BLC)	Support
Defog	Digital Defog
Artificial Intelligence	
Smart Intrusion Prevention	Support false alarm filtering: Cross Line detection, Intrusion detection, Enter Area detection, Leave Area detection
Statistical Analysis	People counting, support people flow counting and crowd density monitoring
Events	
Basic Detection	Motion detection, Ultra motion detection, Tampering alarm, Audio detection
General Function	Watermark, IP address filtering, tampering alarm, alarm input, alarm output, access policy, ARP protection, RTSP authentication, user authentication
Audio	
Audio Compression	G.711
Audio Bit Rate	64 Kbps
Two-way Audio	Support
Suppression	Support
Sampling Rate	8KHZ
Storage	
Edge Storage	Micro SD, up to 256GB
Network Storage	ANR, NAS(NFS)
Interface	
Audio I/O	Input: impedance 35kΩ; amplitude 2V [p-p] Output: impedance 600Ω; amplitude 2V [p-p]
Alarm I/O	1/1
Ethernet	1 * RJ45 10M/100M Base-TX Ethernet

*Design and specifications are subjects to change without notice.



INLGDO5IRWF

5 MP AI Fixed Dome Network Camera w/IR, SD Slot

Product Specifications

Network	
Protocols	IPv4, IPv6, IGMP, ICMP, ARP, TCP, UDP, DHCP, PPPoE, RTP, RTSP, RTCP, DNS, DDNS, NTP, FTP, UPnP, HTTP, HTTPS, SMTP, 802.1x, SNMP, QoS, RTMP, SSL/TLS, SSH
Compatibility	ONVIF (Profile S, Profile G, Profile T), API, SDK
User/Host	Up to 32 users. 2 user levels: administrator and common user
Security	Password protection, strong password, HTTPS encryption, Export operation logs, basic and digest authentication for RTSP, digest authentication for HTTP, TLS 1.2, WSSE and digest authentication for ONVIF
Management software	LEGEND VMS, ARKIV
Web Browser	Plug-in required live view: IE 10 and above, Chrome 45 and above, Firefox 52 and above, Edge 79 and above
	Plug-in free live view: Chrome 57.0 and above, Firefox 58.0 and above, Edge 16 and above
Certifications	
EMC	CE-EMC (EN 55032: 2015+A1:2020, EN 61000-3-3: 2013+A1: 2019, EN IEC 61000-3-2: 2019+A1: 2021, EN 55035: 2017+A11:2020) FCC (FCC CFR 47 part 15 B, ANSI C63.4-2014)
Safety	CE LVD (EN 62368-1:2014+A11:2017) CB (IEC 62368-1:2014) UL (UL 62368-1, 2nd Ed., Issue Date: 2014-12-01)
Environment	CE-RoHS (2011/65/EU; (EU)2015/863); WEEE (2012/19/EU); Reach (Regulation (EC) No 1907/2006)
Protection	IP67 (IEC 60529:1989+AMD1:1999+AMD2:2013) IK10 (IEC 62262:2002) 4KV (Surge Protection)
General	
Power	DC 12V±25%, PoE (IEEE 802.3af)
Power Consumption	Less than 4.5W
Power Interface	Ø 5.5mm coaxial power plug
Dimensions (Ø x H)	Ø108.7 x 81.1mm (Ø 4.3" x 3.2")
Weight	0.93lb / 0.425kg
Material	Metal
Working Environment	-30°C ~ 60°C (-22°F ~ 140°F), Humidity: ≤95% RH (non-condensing)
Reset Button	Support

*Design and specifications are subjects to change without notice.



INLGDO5IRWF

5 MP AI Fixed Dome Network
Camera w/IR, SD Slot

Product Specifications



XLGJB03-G
Junction Box



XLGJB07WM03-G
Wall Mount



XLGUM06-D
Incline Mount



XLGUP06
Pole Mount



XLGWM03-D
Wall Mount



XLGCM24
Ceiling Mount



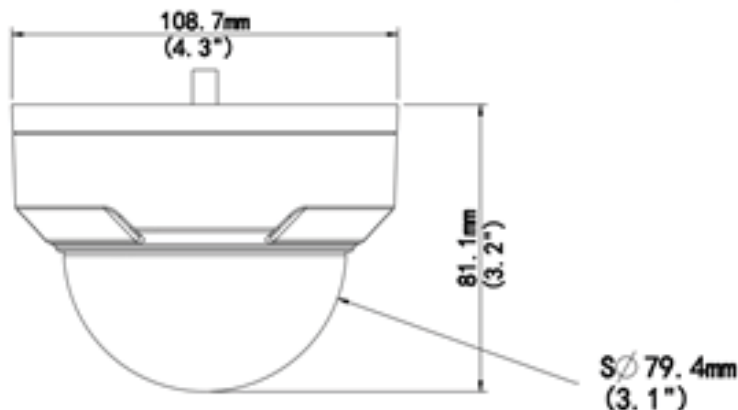
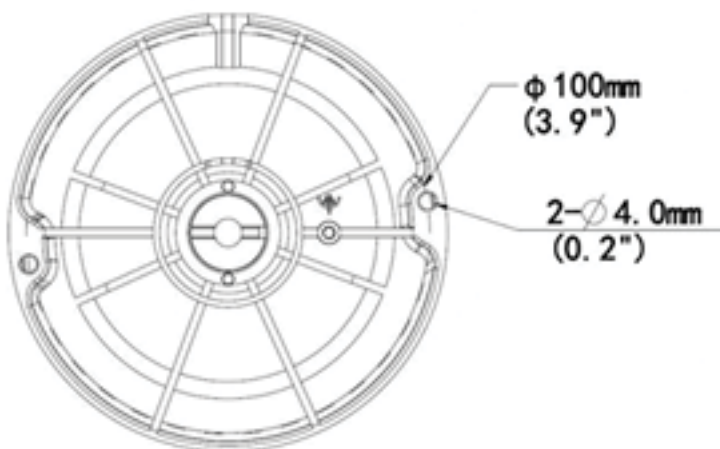
XLGSE24
Pendant Mount



XLGSE24-A
Pendant Mount



VUSD256G
Micro SD Card



*Design and specifications are subjects to change without notice.



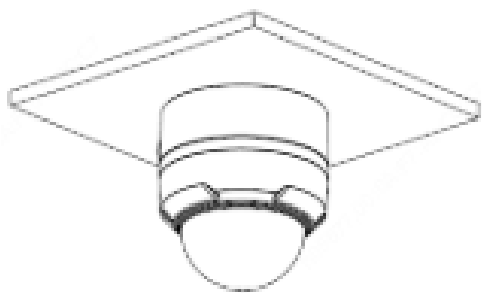
INLGDO5IRWF

5 MP AI Fixed Dome Network
Camera w/IR, SD Slot

Product Specifications

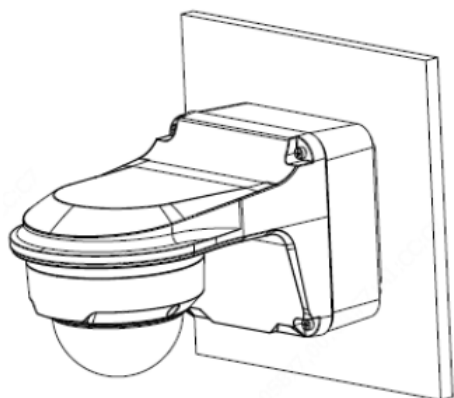
Junction Mount

XLGJB03-G



Wall Mount

XLGJB07WM03-G

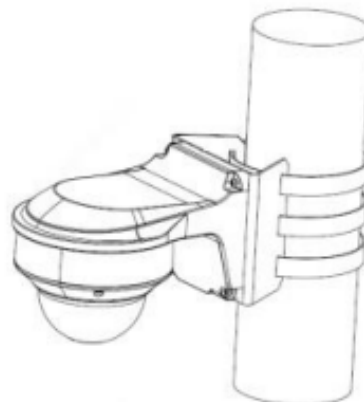


XLGCM24 + XLGJB03-G



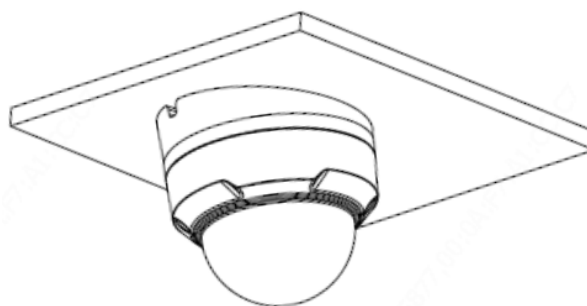
Pole Mount

XLGJB07WM03-G



Tilted Mount

XLGJB07WM03-G + XLGUP06



*Design and specifications are subjects to change without notice.

