

INLGK86T8KN2T

8 Channel 2 TB 4K NVR Bundle
with 6 x 4.1MP TURRETS

LiteAI
Edge Analytics



Camera Features

- High quality image with 4MP, 1/3" CMOS sensor
- H.265+ & H.264 encoding
- Supports Micro SD card up to 128GB
- Smart IR, up to 30m (98ft) IR distance

NVR Features

- Supports H.265+ / H.265 / H.264 compression
- 8-Channel input
- Up to 8 Megapixels resolution recording
- HDMI and VGA simultaneous output
- 1 SATA HDD, Up to 8TB HDD
- Supports cloud upgrade

*Design and specifications are subjects to change without notice.



INLGK86T8KN2T

Product Specifications

Camera: INLGTO4IRF

4.1 MP Vandal Proof Fixed Turret

Camera					
Image Sensor	1/3.0"CMOS, 4 megapixel				
Minimum Illumination	Colour: 0.0025 lux (F1.6, AGC ON), 0 lux with IR on				
Day/Night	IR-cut filter with auto switch (ICR)				
Electronic Speed Shutter	Auto/Manual, 1 ~ 1/100000s				
Pan/Tilt/Rotate	Pan: 0° ~ 360°	Tilt: 0° ~ 75°	Rotate: 0° ~ 360°		
WDR	Digital Wide Dynamic Range				
S/N Ratio	More than 52 dB				
Illumination					
IR Range	Up to 30m / 98ft				
Wavelength	850nm				
IR On & Off Control	Auto/Manual				
Lens					
Lens Type	Fixed				
Focal Length	2.8mm				
Viewing Angle (H, V, D)	H : 97°	V : 52.2°	D : 107.5°		
DORI					
DORI	Lens (mm)	Detect	Observe	Recognize	Identify
Distance	2.8	63m/206.7ft	25.2m/82.7ft	12.6m/41.3ft	6.3m/20.7ft
Video					
Compression	H.265+ / H.265 / H.264 / MJPEG				
H.264 code profile	Baseline profile, Main profile, High profile				
Frame Rate	Main Stream: 4MP (2560*1440), Max 25fps; 3MP (2304*1296), Max 30fps; 1080P (1920*1080), Max 30fps; 720P (1280*720), Max 30fps Sub Stream: D1 (720*576), Max 30fps; 640*360,Max 30fps; 2CIF(704*288), Max 30fps; CIF(352*288), Max 30fps				
Video Bit Rate	128 Kbps ~ 6144 Kbps				
On-Screen Display (OSD)	Up to 4 OSDs				
Privacy Mask	Up to 4 areas				
Region of Interest	Up to 8 areas				
Video Stream	Double				

*Design and specifications are subjects to change without notice.



INLGK86T8KN2T

Product Specifications

Camera: INLGTO4IRF

4.1 MP Vandal Proof Fixed Turret

Image	
White Balance	Auto/Outdoor/Fine Tune/Sodium Lamp/Locked/Auto2
Digital Noise Reduction	2D/3D DNR
Smart IR	Support
Flip	Normal/Vertical/Horizontal/180°
Hightlight Compensation (HLC)	Support
Blacklight Compensation (BLC)	Support
Defog	Digital Defog
Events	
Basic Detection	Cross Line detection, Intrusion detection, Motion detection, Ultra motion detection, Tampering alarm, Audio detection
General Function	Watermark, IP address filtering, tampering alarm, alarm input, alarm output, access policy, ARP protection, RTSP authentication, user authentication
Storage	
Edge Storage	Micro SD, up to 128 GB
Network Storage	ANR, NAS(NFS)
Interface	
Ethernet	1 * RJ45 10M/100M Base-TX Ethernet

*Design and specifications are subjects to change without notice.



INLGK86T8KN2T

Product Specifications

Camera: INLGTO4IRF

4.1 MP Vandal Proof Fixed Turret

Network	
Protocols	IPv4, IGMP, ICMP, ARP, TCP, UDP, DHCP, RTP, RTSP, RTCP, RTMP, DNS, DDNS, NTP, FTP, UPnP, HTTP, HTTPS, SMTP, QoS, SSL/TLS, SNMP
Compatibility	ONVIF (Profile S, Profile G, Profile T), API, SDK
User/Host	Up to 32 users. 2 user levels: administrator and common user
Security	Password protection, strong password, HTTPS encryption, Export operation logs, basic and digest authentication for RTSP, digest authentication for HTTP, TLS 1.2, WSSE and digest authentication for ONVIF
Management software	LEGEND VMS, ARKIV
Web Browser	Plug-in required live view: IE 10 and above, Chrome 45 and above, Firefox 52 and above, Edge 79 and above
	Plug-in free live view: Chrome 57.0 and above, Firefox 58.0 and above, Edge 16 and above
Certifications	
EMC	CE-EMC (EN 55032, EN 61000-3-3, EN IEC 61000-3-2, EN 55035) FCC (FCC 47 CFR part15 B)
Safety	CE LVD (EN 62368-1) CB (IEC 62368-1) UL/CUL (UL 62368-1, CAN/CSA C22.2 No. 62368-1)
Environment	CE-RoHS (2011/65/EU;(EU)2015/863); WEEE (2012/19/EU)
Protection	IP67 (IEC 60529) 4KV (Surge Protection)
General	
Power	DC 12V±25%, PoE (IEEE 802.3af)
Power Consumption	Less than 4.0W
Power Interface	Ø 5.5mm coaxial power plug
Dimensions (Ø x H)	Ø118 x 97mm (Ø4.6" x 3.8")
Weight	0.66lb / 0.30kg
Material	Metal + Plastic
Working Environment	-30°C ~ 60°C (-22°F ~ 140°F), Humidity: ≤95% RH (non-condensing)

*Design and specifications are subjects to change without notice.



INLGK86T8KN2T

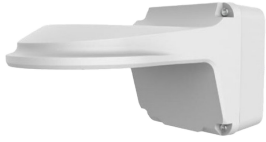
Camera: INLGTO4IRF

4.1 MP Vandal Proof Fixed Turret

Product Specifications



XLGJB03-G
Junction Box



XLGJB0WM03-G
Wall Mount



XLGWM03-D
Wall Mount



XLGUP06
Pole Mount



XLGUC08-C
Corner Mount



XLGSE24
Pendant Mount



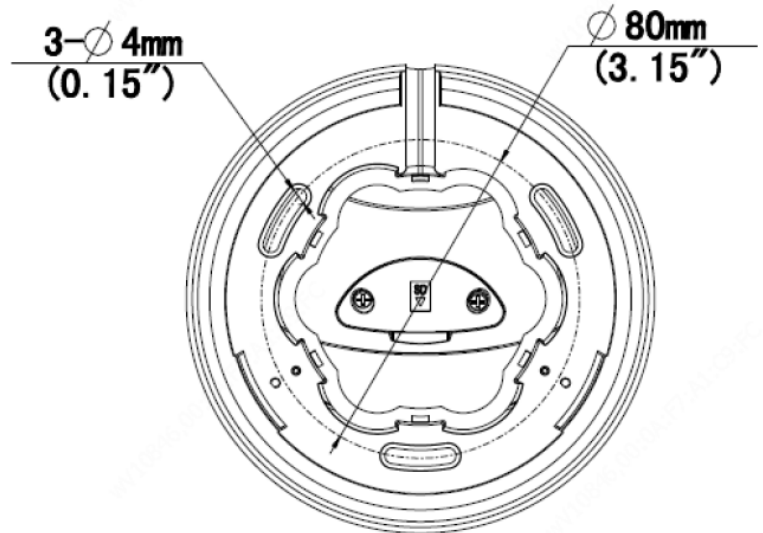
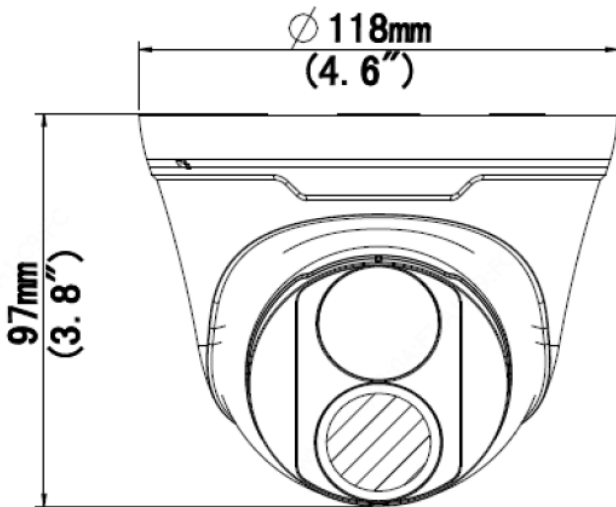
XLGSE24-A
Pendant Mount



XLGCM24
Ceiling Mount



VUSD256G
Micro SD Card



*Design and specifications are subjects to change without notice.



INLGK86T8KN2T

NVR: INLG30108S3P8
8-Channel 4K NVR

Product Specifications

Decoding	
Format	H.265+ / H.265 / H.264
Capability	4K@30, 4 x 5MP@25, 4 x 4MP@25, 4 x 3MP@25
Audio Compression	G.711A, G.711U
Network	
Incoming Bandwidth	64Mbps
Outgoing Bandwidth	48Mbps
Remote Users	128
Protocols	TCP/IP, P2P, UPnP, NTP, DHCP, PPPoE, HTTP, HTTPS, DNS, DDNS, SMTP, RTSP
Browser	Windows: IE (IE10/11), Firefox (version 52.0 and above), Chrome (version 45 and above), Edge(version 79 and above)
Video/Audio Output	
HDMI/VGA Output	HDMI: 4K(3840x2160)/30Hz, 1920x1080/60Hz, 1920x1080/50Hz, 1600x1200/60Hz, 1280x1024/60Hz, 1280x720/60Hz, 1024x768/60Hz
	VGA:1920x1080/60Hz, 1920x1080/50Hz, 1600x1200/60Hz, 1280x1024/60Hz, 1280x720/60Hz, 1024x768/60Hz
Audio Output	1-Channel, RCA
Liveview Display	1 / 4
Corridor Mode Screen	3 / 4
Video/Audio Input	
IP Video Input	4-Channel
Snapshot	
FTP/Schedule/Event Snapshot	1-Channel, up to D1 resolution
Recording	
Resolution	8MP/6MP/5MP/4MP/3MP/1080P/960P/720P/D1/2CIF/CIF
Synchronous Playback in Local	4-Channel
Smart	
VCA Detection by IPC	Face Detection, SIP (Intrusion Detection, Cross Line Detection, Enter Area, Leave Area), Ultra Motion Detection (UMD)
VCA Search	Behavior Search
Smart by IPC	4-Channel : Face Detection, SIP, UMD

*Design and specifications are subjects to change without notice.



INLGK86T8KN2T

NVR: INLG30108S3P8
8-Channel 4K NVR

Product Specifications

Alarm	
General Alarm	Auto Tracking, Motion Detection, Tampering, Human Body Detection, Video Loss, Alarm Input, Audio Detection
Alert Alarm	IP Conflict, Network Disconnected, Disk Offline, Disk Abnormal, Illegal Access, Hard Disk Space Low, Hard Disk Full, Recording/Snapshot Abnormal
GUI Language	
GUI Language	21 languages: Chinese, English, Vietnamese, Thai, Turkish, Spanish (Latin America), Portuguese (Brazil), Spanish, Portuguese, French, German, Italian, Dutch, Polish, Czech, Hungarian, Slovak, Russian, Hebrew, Arabic, Ukrainian
Hard Disk	
SATA	1 SATA Interface
Capacity	Up to 10TB for each HDD
External Interface	
Network Interface	1 RJ45 10M/100M self-adaptive Ethernet Interface
USB	Rear panel : 2 x USB2.0
Power Supply	DC 48V/1.35A
PoE	
Interface	10M/100M self-adaptive Ethernet Interface
Max Power	Max 30W for single port, Max 54W in total
Supported Standard	IEEE 802.3at, IEEE 802.3af
Working Environment	
Working Temperature	-10 °C ~ 55 °C (14 °F ~ 131 °F)
Working Humidity	≤ 90% RH (non-condensing)
Power Consumption	≤ 9.0W
Dimensions	
Weight	≤ 1.1Kg (2.43lb) without HDD
Dimensions	260mm × 240mm × 46mm / 10.2"×9.4"×1.8"
Certification	
Certification	CE, FCC, UL, RoHS, WEEE
CE	EN 55032, EN 61000-3-3, EN IEC 61000-3-2, EN 55035
FCC	Part15, Subpart B

*Design and specifications are subjects to change without notice.

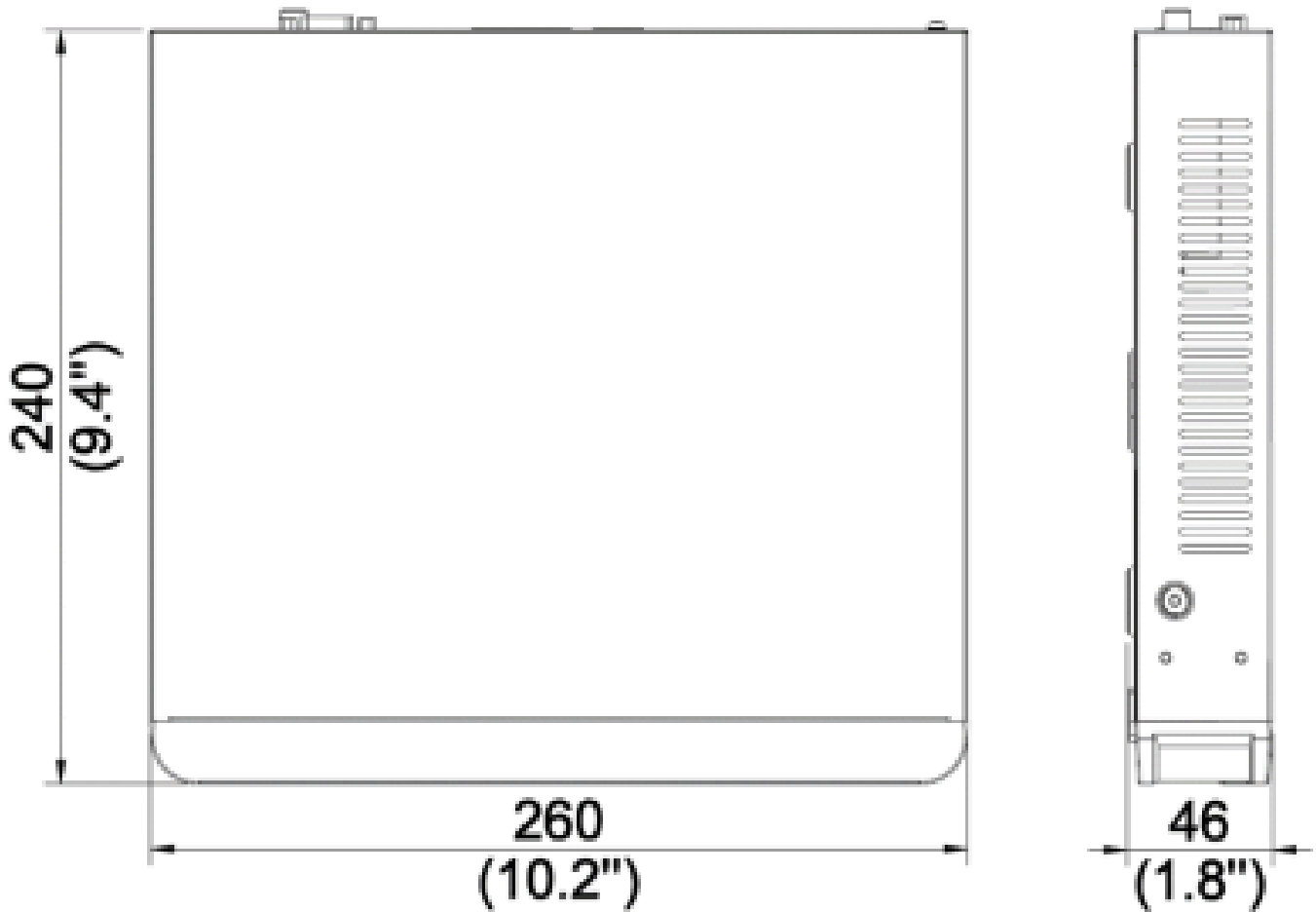


INLGK86T8KN2T

NVR: INLG30108S3P8

8-Channel 4K NVR

Product Specifications



*Design and specifications are subjects to change without notice.

