

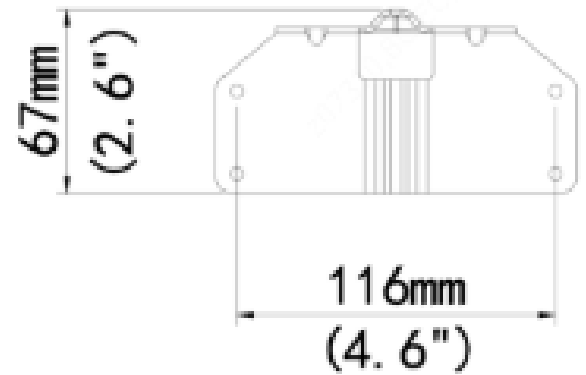
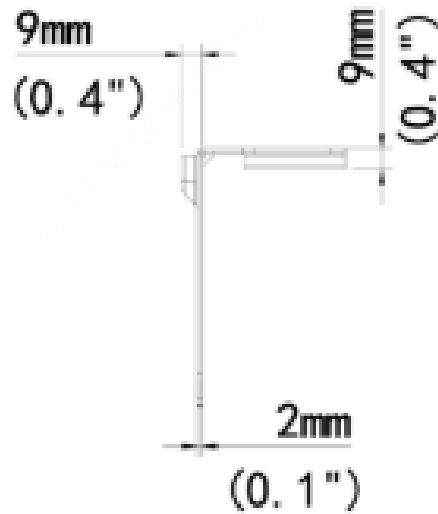
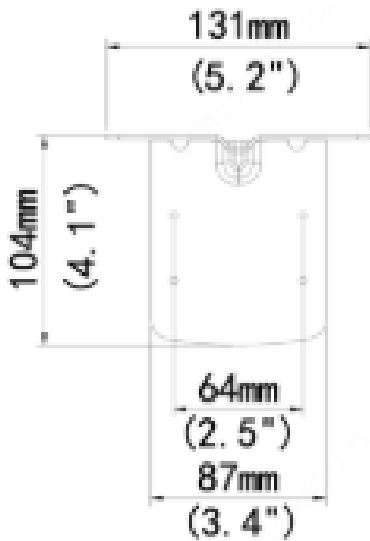
XLGCM06-D

Active deterrence series PTZ
camera ceiling mount



Bracket

Application	Indoor/Outdoor
Dimensions	104 x 131 x 67 / 4.1" x 5.2" x 4.6"
Weight	0.19 lb / 0.088 kg
Material	Aluminum Alloy



*Design and specifications are subjects to change without notice.

