

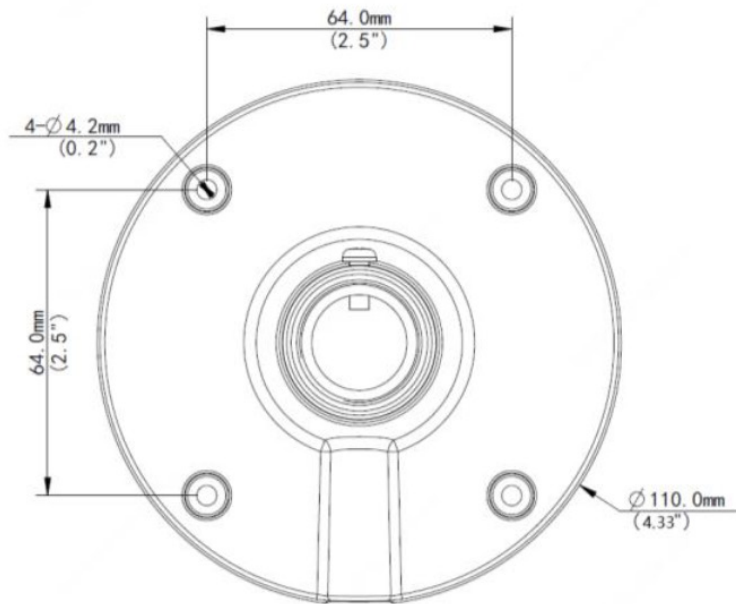
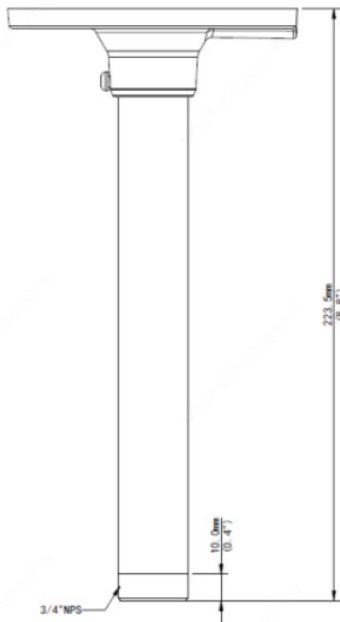
XLGCM24

Pendant Ceiling Mount



Bracket

Application	Wall installation for fixed Dome
Dimensions	Ø 110 x 223.5mm / Ø4.33" x 8.80"
Weight	0.55 lb / 0.25 kg
Material	Aluminum Alloy



*Design and specifications are subjects to change without notice.

