

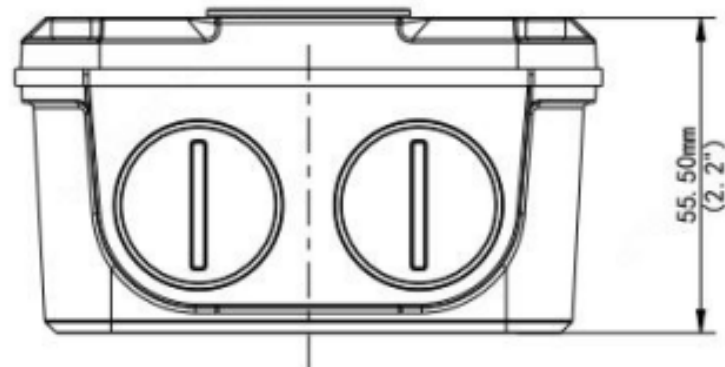
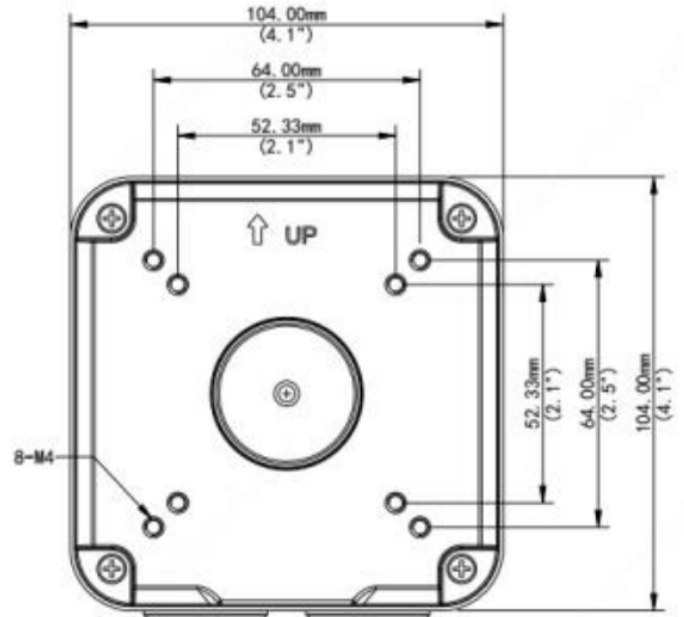
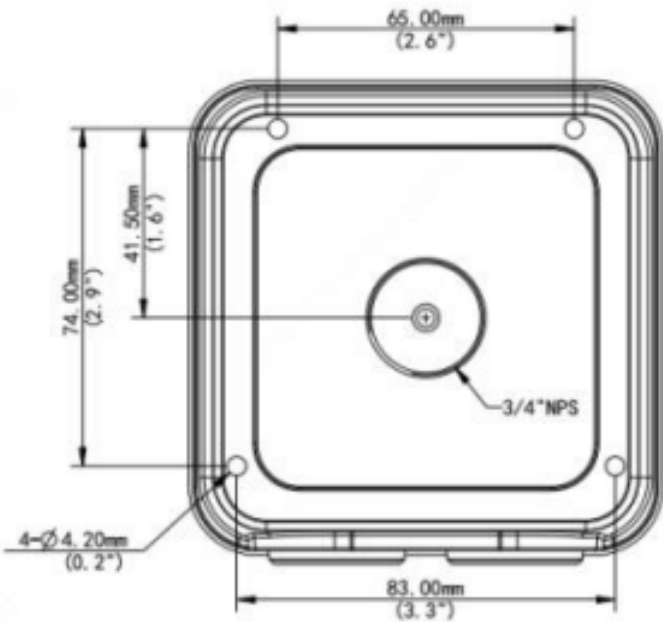
XLGJB06-A

Junction Box



Bracket

Application	Outdoor/Indoor Junction Box
Dimensions	$\Phi 104.4 \times 104 \times 104\text{mm}$ / $\Phi 4.09'' \times 4.09'' \times 2.19''$
Weight	0.93 lb / 0.42 kg
Material	Aluminum Alloy



*Design and specifications are subjects to change without notice.