

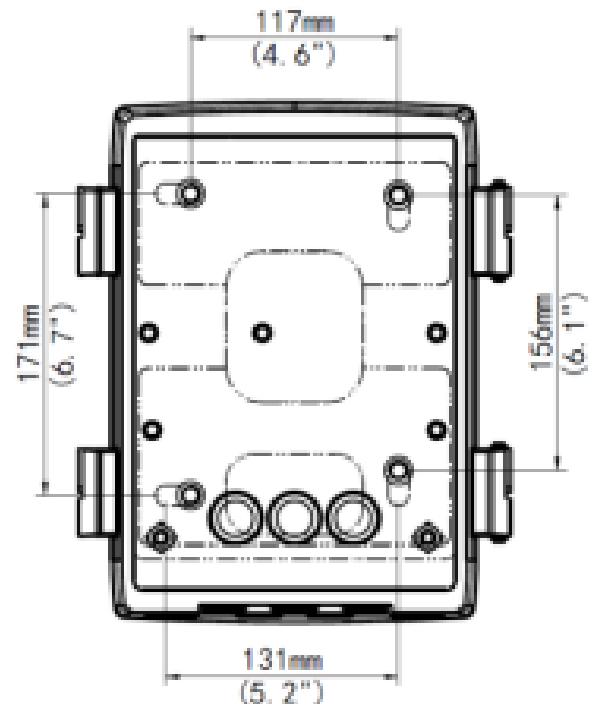
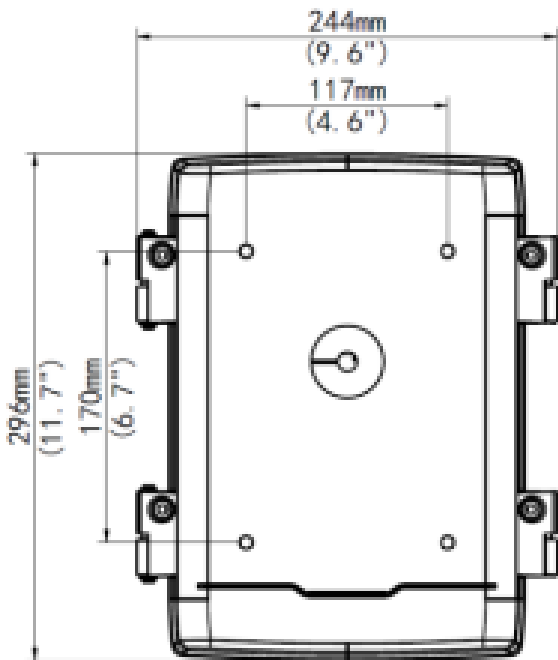
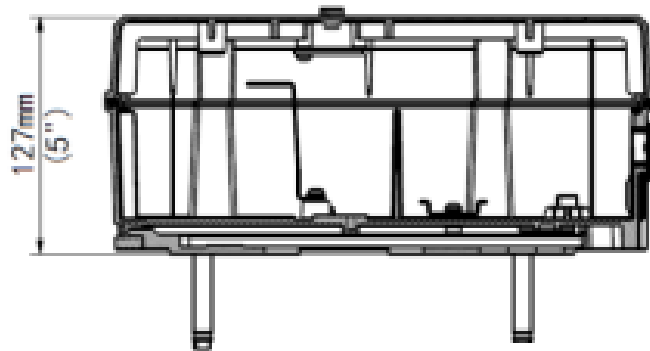
XLGJB12

Junction Box Door Swing Enclosure



Bracket

Application	Outdoor/Indoor Junction Box
Dimensions	296 x 244 x 127mm / 11.7" x 9.6 x 5"
Weight	5.5 lb / 2.5 kg
Material	Aluminum Alloy



*Design and specifications are subjects to change without notice.

