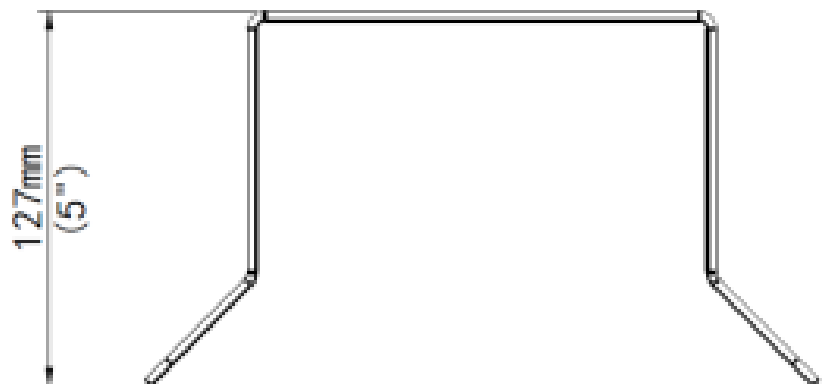
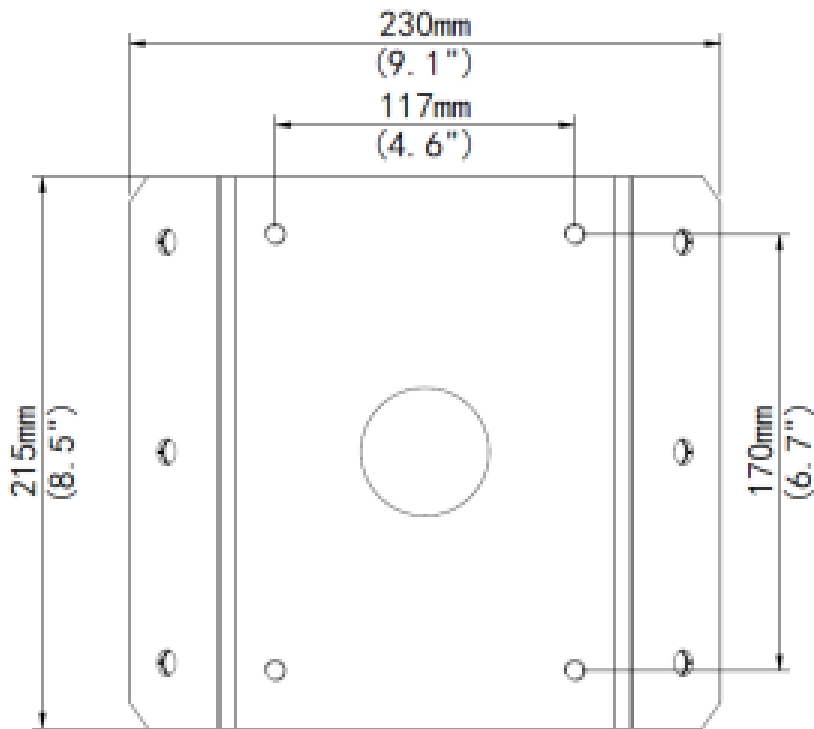


XLUCM08-B

Corner Mount



Bracket	
Application	Outdoor/Indoor Corner Mount
Dimensions	$\Phi 215 \times 230 \times 127\text{mm}$ / $\Phi 8.5" \times 9.1" \times 5"$
Weight	1.6 lb / 0.73 kg
Material	Aluminum Alloy



*Design and specifications are subjects to change without notice.