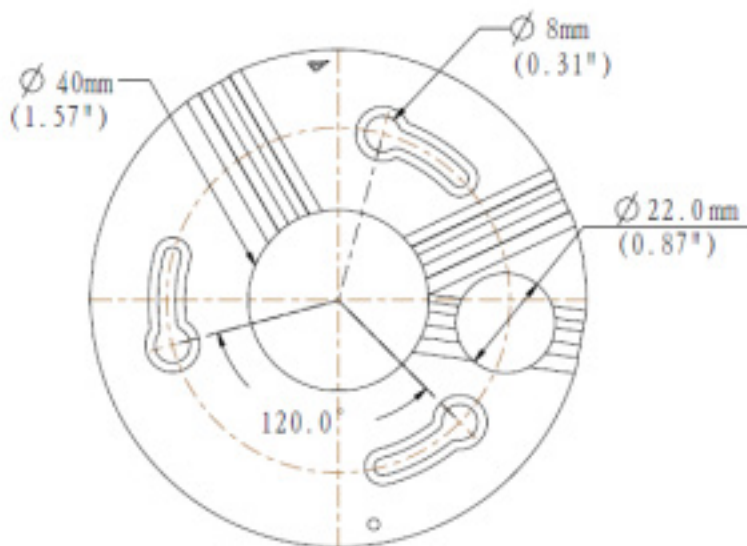
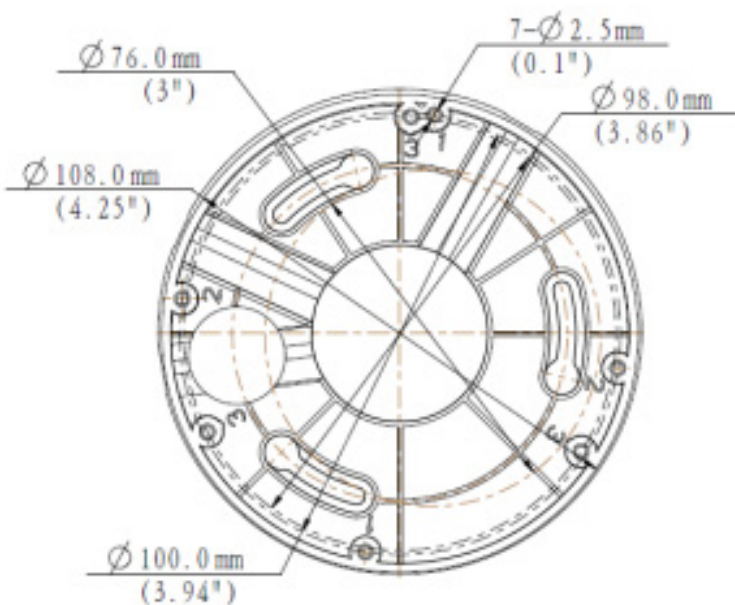
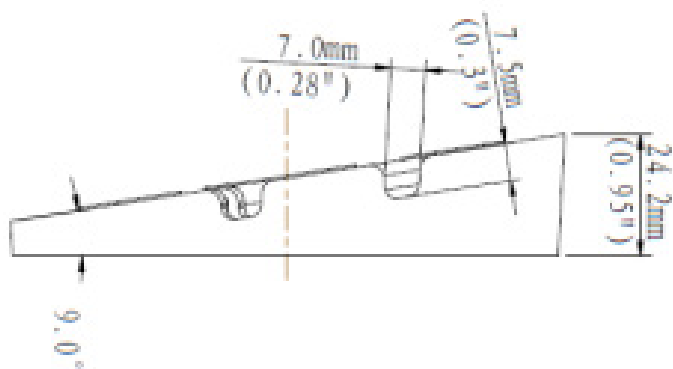


XLGUM06-D

Fixed Dome Indoor Incline Mount



Bracket	
Application	Indoor Incline Mount
Dimensions	Φ108 x 24.2mm / Φ4.25" x 0.95"
Weight	0.1 lb / 0.04 kg
Material	Plastic



*Design and specifications are subjects to change without notice.