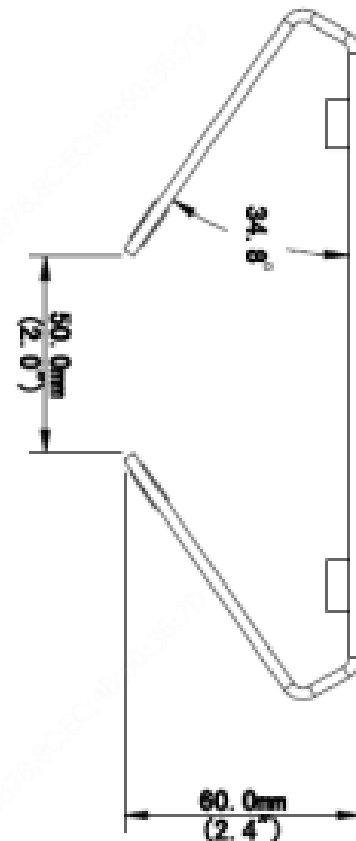
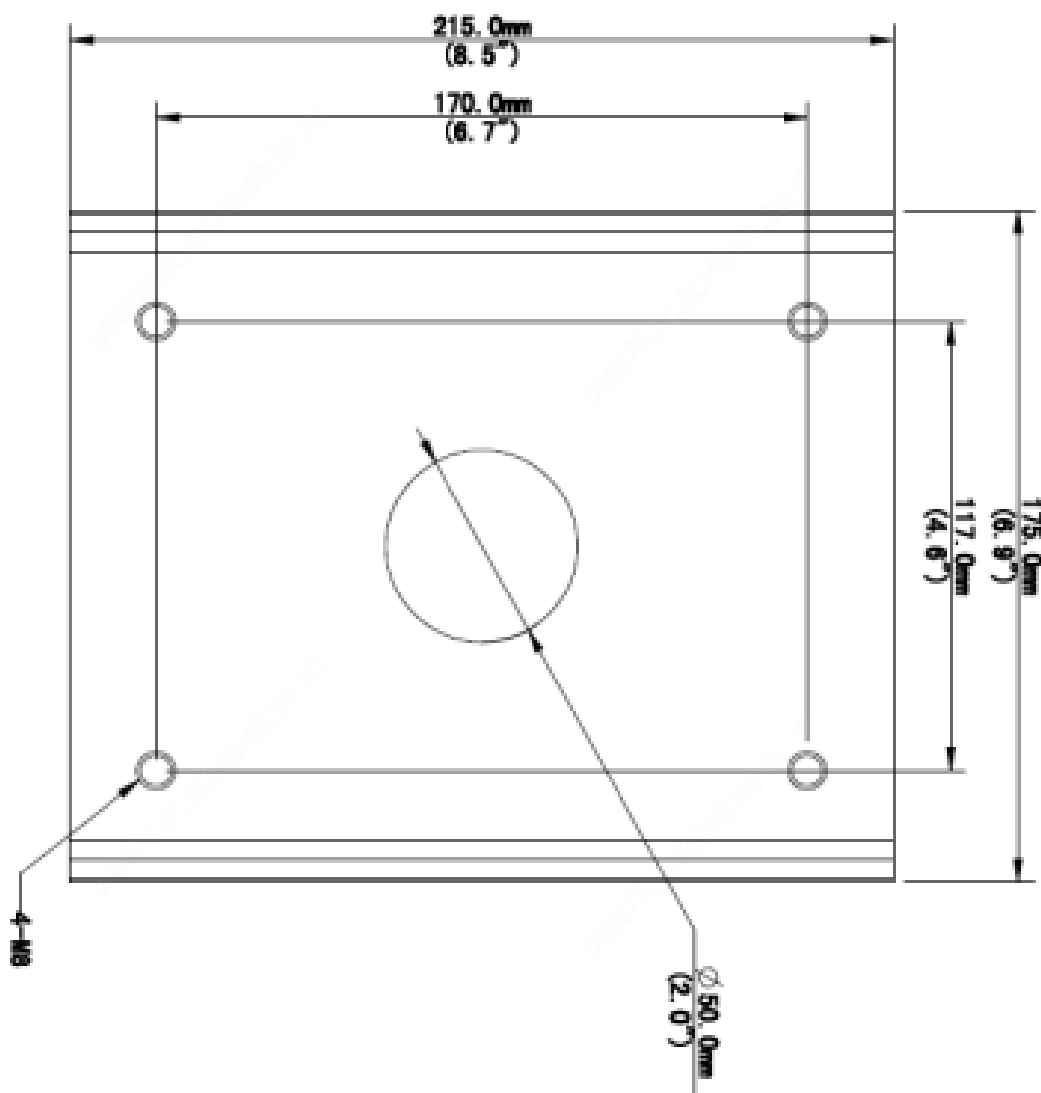


XLGUP08A

Pole Mount for PTZ

Bracket

Application	Outdoor/Indoor Pole Mount
Dimensions	215 x 175 x 60mm / 8.5" x 6.9" x 2.4"
Embrace Hoop	67mm~127mm / 2.6"~5"
Weight	3.2 lb / 1.47 kg
Material	Steel



*Design and specifications are subjects to change without notice.