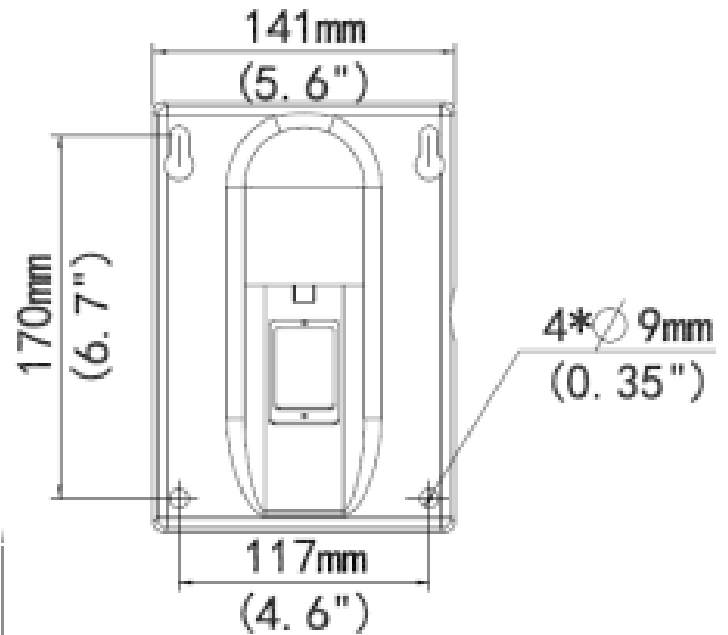
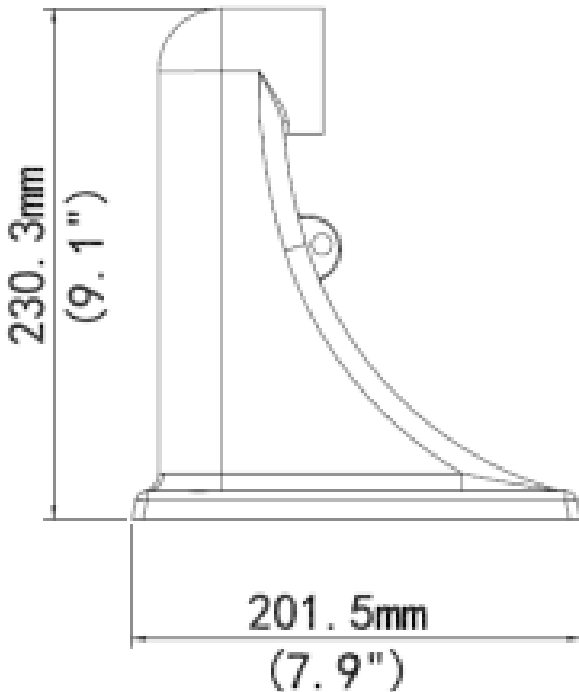


XLGWE45

PTZ Dome Wall Mount



Bracket	
Application	Outdoor/Indoor Wall Mount
Dimensions	230.3 x 141.0 x 201.5mm / 9.1" x 5.6" x 7.9"
Weight	1.74 lb / 0.79 kg
Material	Aluminum Alloy



*Design and specifications are subjects to change without notice.

