

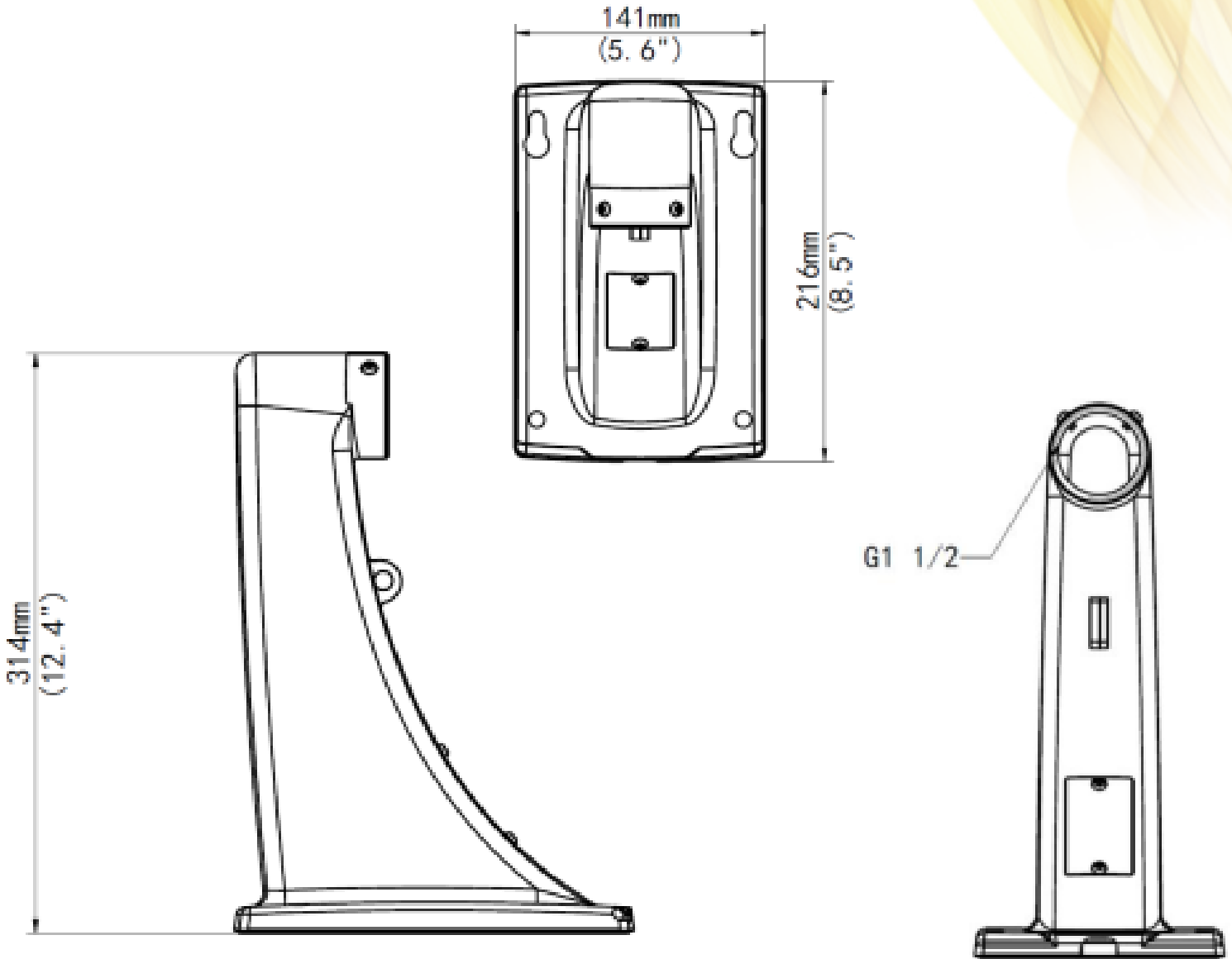
XLGWE45A

Wall Mount for PTZ



Bracket

Application	Outdoor/Indoor Wall Mount
Dimensions	216 x 141 x 314mm / 8.5" x 5.6" x 12.4"
Weight	2.2 lb / 1 kg
Material	Aluminum Alloy



*Design and specifications are subjects to change without notice.

